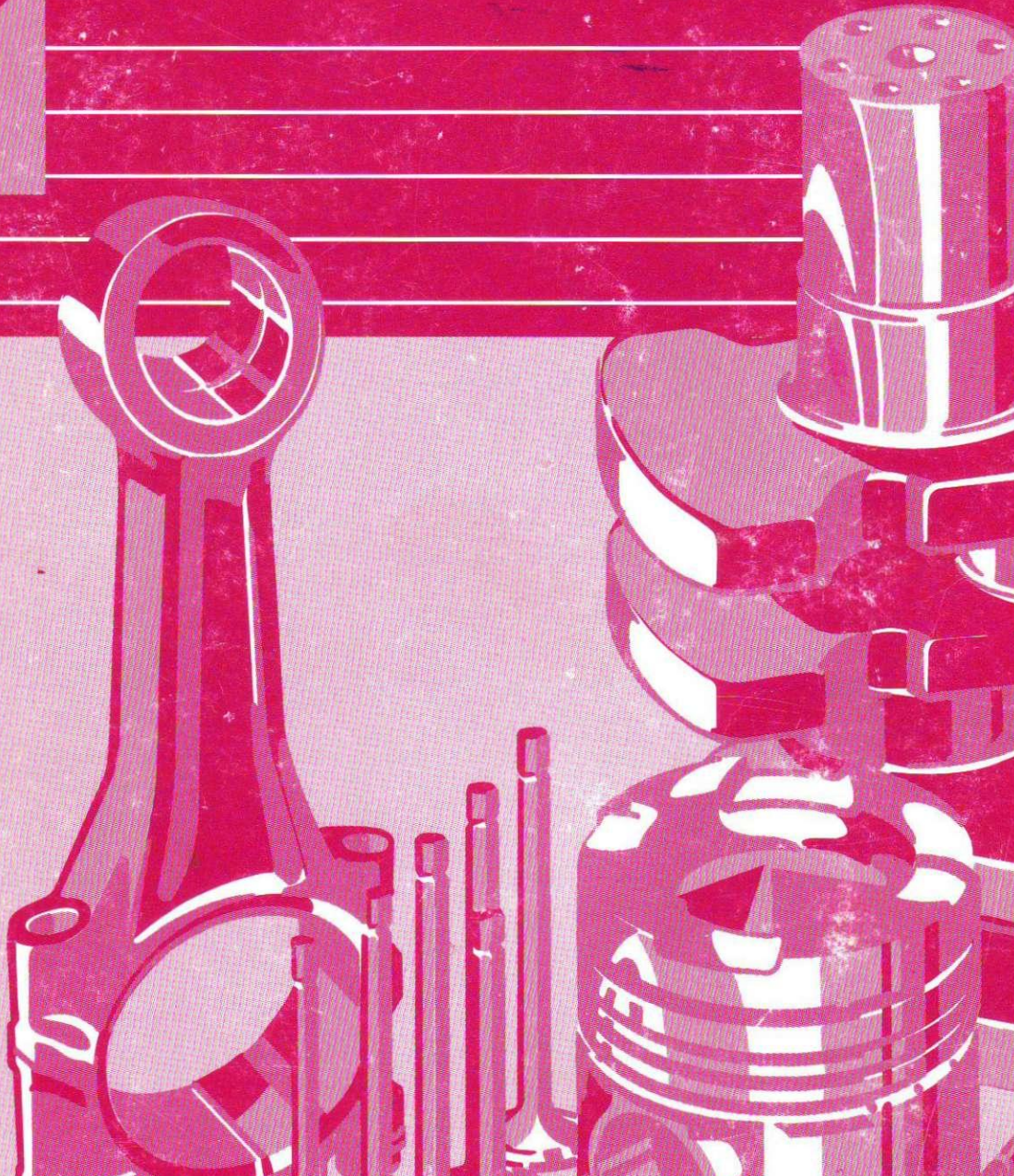




# Parts

## N14

Step Timing  
Industrial



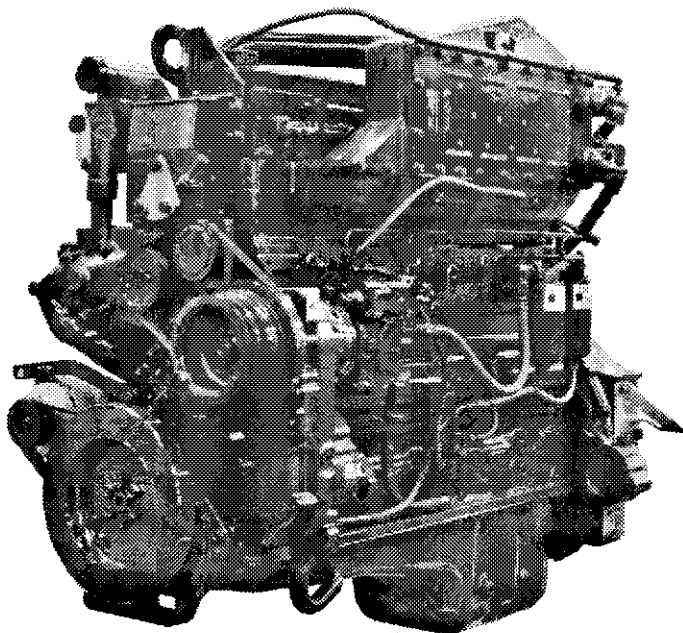




## Parts Catalog

### N14

Step Timing Control  
Industrial





# Cummins Engine Co., Inc.

## New Parts Warranty Heavy Duty

### COVERAGE

#### PRODUCTS WARRANTED

These warranties apply to New Parts marketed by Cummins for its engines (except those for A, B, and C series engines). They apply anywhere in the world where service is available through a Cummins distributor or full service dealer.\*

#### BASE WARRANTY

The Base Warranty covers any failures of parts on or after March 31, 1986, which result, under normal use and service, from defects in workmanship or material (Warrantable Failures). The coverage on cylinder lds designated by Cummins as "Premium Plus" extends two years, 200,000 miles (321,870 kilometers) or 7,200 hours of operation, whichever occurs first, from the date of first installation. The coverage on other parts extends one year, 100,000 miles (160,935 kilometers) or 3,600 hours of operation, whichever occurs first, from the date of first installation.

#### EXTENDED MAJOR COMPONENTS WARRANTY

The Extended Major Components Warranty covers Warrantable Failures on or after March 31, 1986, of engine cylinder blocks, crankshafts, flangeless NT camshafts\*\* and connecting rods (Covered Parts). Bushing and bearing failures are not included. This coverage begins with the expiration of the Base Warranty and ends three years, 300,000 miles (482,805 kilometers) or 10,800 hours of operation, whichever occurs first, from the date of first installation.

Both the Base Warranty and Extended Major Components Warranty apply to all Owners in the chain of distribution, and coverage continues to all subsequent Owners until the end of the respective periods of coverage.

### CUMMINS RESPONSIBILITIES

#### DURING THE BASE WARRANTY

Cummins will pay for all parts and labor needed to repair the damage to the engine resulting from the Warrantable Failure. All labor costs will be paid in accordance with Cummins published Standard Repair Operation guidelines.

Cummins will pay for the lubricating oil, antifreeze, filter elements, and other maintenance items that are not reusable due to the Warrantable Failure.

Cummins will pay reasonable labor costs for engine removal and reinstallation when necessary to make the warranty repair.

When the parts are installed in a non-automotive engine, Cummins will pay reasonable travel expenses for mechanics to and from the engine site, or the repair dock in the case of a marine engine, including meals, mileage and lodging when it is necessary for mechanics to make on-site warranty repairs.

#### DURING THE EXTENDED MAJOR COMPONENTS WARRANTY

Cummins will pay for the Covered Part and for any Covered Part damaged by a Warrantable Failure of another Covered Part.

### OWNER RESPONSIBILITIES

#### DURING THE BASE WARRANTY

Before expiration of the warranty, Owner must give notice to a Cummins distributor or full service dealer\* of a failure considered to be warrantable and have the repair performed by such facility.

If the part was installed in an automotive engine, the Owner must deliver the engine to the repair location. If installed in a marine engine, Owner is responsible for the cost of towing the boat to a repair dock and for any associated docking and harbor charges.

Owner is responsible for the cost of lubricating oil, antifreeze, filter elements and other maintenance items replaced during warranty repairs except where such items are not reusable due to a Warrantable Failure.

#### DURING THE EXTENDED MAJOR COMPONENTS WARRANTY

Before expiration of the warranty, Owner must give notice to a Cummins distributor or full service dealer\* of a failure considered to be warrantable and deliver the defective and damaged Covered Parts to such facility.

Owner is responsible for the cost of all parts needed for the repair except for the defective Covered Part and for any Covered Part damaged by a Warrantable Failure of another Covered Part.

Owner is responsible for the cost of all labor needed to repair the engine, including the labor to remove and reinstall the engine. When Cummins elects to repair a part instead of replacing it, Owner is not responsible for the labor needed to repair the part.

Owner is responsible for the cost of lubricating oil, antifreeze, filter elements and other maintenance items replaced during the repair.

#### DURING BOTH WARRANTIES

At the time when the parts are installed, Owner is responsible for the preparation of a written record containing the following: (1) the date of installation of the parts; (2) the engine serial number; (3) the engine miles, hours or kilometers of operation; (4) the parts installed, and (5) the location of the parts in the engine. The purpose of this record is to protect Owner's interests and support any claim for a Warrantable Failure.

Owner is responsible for the operation and maintenance of the engine as specified in Cummins Operation and Maintenance Manuals.

Owner is responsible for communication expenses, meals, lodging and similar costs incurred by Owner as a result of a Warrantable Failure. Owner is responsible for non-engine repairs and for "down time" expenses, cargo damage and all business costs and losses resulting from a Warrantable Failure. CUMMINS IS NOT RESPONSIBLE FOR INCIDENTAL OR CONSEQUENTIAL DAMAGES.

### LIMITATIONS

Cummins is not responsible for failures resulting from Owner or Operator abuse or neglect, such as: operation without adequate coolant, fuel or lubricants; overfueling; overspeeding; lack of maintenance of lubricating, cooling or air intake systems; improper storage, starting, warm-up, run-in or shutdown practices. Cummins is also not responsible for failures caused by incorrect fuel, or by water, dirt or other contaminants in the fuel.

Cummins does not warrant parts supplied by Cummins which bear the name of another company. These parts are warranted by their manufacturers and not by Cummins. This category of parts includes, but is not limited to: hydraulic pumps, alternators, starters, fans, air conditioning compressors, clutches, steering pumps, transmissions, torque converters, marine gears, air cleaners, filters and non-Cummins air compressors, power steering pumps, and engine compression brakes.

Parts provided may be new Cummins, Cummins approved rebuilt parts, or repaired parts. Cummins is not responsible for failures resulting from the use of parts not approved by Cummins.

Before a claim for excessive oil consumption will be considered, Owner must submit adequate documentation to show that consumption exceeds Cummins published standards.

This warranty does not apply to parts furnished by Cummins at no charge to the Owner.

**INVEST IN THE BEST**

## Product Identification Information

Data plates should be referred for parts identification.

### 1. ENGINE DATA PLATE

Engine No.	Advert. HP	at	RPM	Family		2
Model	Advert. HP	at	RPM	Family		
S.O. No.	Valve Lash Coll.	Int.	Est.	C.I.D./L	Family	3
Date of Mfg.	Int. Set	Manufactured by	Est.	CPL		
Ref. No.					Warranty St. Date	

1

ap6000ga

1. Shop order number
2. Model designation
3. Engine serial number
4. Control parts list

### 2. ELECTRONIC CONTROL MODULE DATA PLATE

1		P/N	xxxxxxx
2		S/N	xxxxxxx
3		D/C	xxxx

1. Part number
2. Serial number
3. Data code

**This catalog was compiled by KC Carman in Parts Communications.**

## Customer Service Information

This standard Parts Catalog contains parts information for the following Cummins Engine Model(s):

NTA14-C

D093635CX03

CPL 1921, CPL 2033, CPL 2038

Certain basic engine components have been matched to give optimum performance to your engine. The part numbers listed in this catalog for these components are for a standard engine configuration. When ordering any of the Control Parts List (CPL) components listed below, please order by part description and engine serial number. Reference to the CPL number stamped on the engine data (name) plate will also help identify the proper service parts for your engine.

### Control Parts List (CPL) Components

Camshaft  
Cylinder Head  
Injector

Page 54  
Page 57  
Page 59, 67, 71

Piston, Engine  
Turbocharger  
Exhaust Manifold

Page 53, 63, 65, 69  
Page 81  
Page 84

### USER INFORMATION

- . Parts numbers appearing in ( ) are for identification purposes only and should not be used when ordering service replacement parts.
- . The reference numbers appearing on the art pages is for publication use only.
- . Assembly content is shown by part number indentation.
- . Options are engineered production part groupings, specifically used for compiling engine orders.
- . Option numbers are for reference only and are not sold for service.
- . Use assembly and not option content to determine service parts replacement.

### ALWAYS SPECIFY ENGINE MODEL AND SERIAL NUMBER WHEN ORDERING PARTS FROM THIS CATALOG

Engine Model \_\_\_\_\_ Engine Serial No. \_\_\_\_\_

MFG Make \_\_\_\_\_ Model \_\_\_\_\_ Chassis No. \_\_\_\_\_

Fuel Pump Assembly No. \_\_\_\_\_ Injector No. \_\_\_\_\_

Belt, Fan \_\_\_\_\_ Belt, Water Pump \_\_\_\_\_ Belt, Gen. \_\_\_\_\_

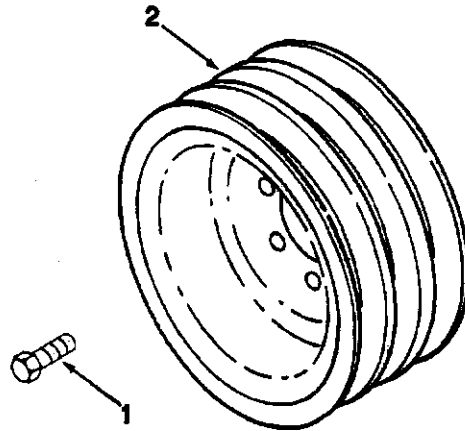
Element, Fuel Filter \_\_\_\_\_ Full Flow Lub. Filter \_\_\_\_\_

Air Cleaner \_\_\_\_\_ By-Pass Lub. Filter \_\_\_\_\_

Special Equipment  
\_\_\_\_\_  
\_\_\_\_\_  
\_\_\_\_\_

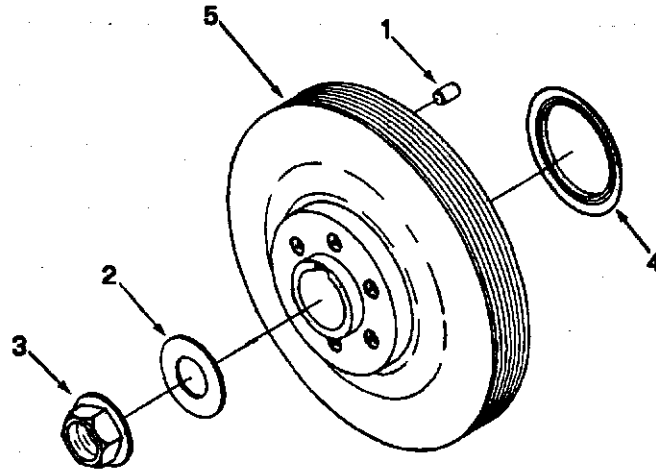
## Table of Contents

	Page No.
Accessory Drive Pulley .....	2, 3
Aftercooler Water Plumbing .....	93
Agency Approval .....	4
Air Fuel Control Plumbing .....	24
Cam Follower .....	17
Camshaft .....	54
Corrosion Resistor .....	94
Crankcase Breather .....	13
Crankshaft .....	11
Cylinder Block .....	7
Cylinder Head .....	57
Cylinder Liner Kit .....	8
Engine Oil Cooler .....	41
Engine Piston .....	53, 63, 69
Fan Drive .....	23
Flywheel .....	34
Flywheel Housing .....	27
Front Engine Support .....	20
Front Gear Cover .....	37
Fuel Filter .....	25
Fuel Plumbing .....	31
Fuel Pump .....	28
Fuel Pump Drive .....	19
Fuel Shutoff Valve .....	33
Full Flow Oil Filter .....	42
Hydraulic Variable Timing .....	61
Injector .....	59, 67, 71
Lifting Bracket .....	38
Lube Oil Pump .....	45
Oil Control Valve .....	73
Oil Control Valve Mounting .....	75
Oil Filler Arrangement .....	47
Oil Manifold .....	79
Oil Pan .....	49
Piston Cooling Nozzle .....	51
Ref Compressor Mounting .....	14
Rocker Lever .....	83
Thermostat Housing .....	87
Throttle Lever .....	88
Turbocharger .....	81
Turbocharger Arrangement .....	85
Turbocharger Plumbing .....	89
Valve Cover .....	91
Viscosity Sensor .....	77
Water Inlet Connection .....	95
Water Pump .....	97
Option Number Index .....	A-1
Part Number Index .....	B-1



ad103gp

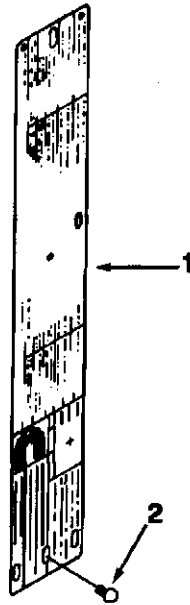
Ref No.	Part Number	Part Name	Req	Remarks
		<p><b>ACCESSORY DRIVE PULLEY</b> <b>OPTION AD1272</b></p>		<p>Intended drive: Fan and accessory. Fan groove diameter (in): 7.04 (178.816 mm). Fan groove type (in): Dual .800 V. Fan drive groove location (nominal-in): 5.16 (131.064 mm). Extra groove diameter (in): 7.55 (191.77mm). Extra groove type (in): single .515 V. Extra groove location (in): 4.00 (101.6 mm).</p>
1	175833	Screw, Hexagon Head Cap Pulley, Accessory Drive	6	3/8 - 16 x 1 1/8 inch
2	3013336		1	



ad103gg

Ref No.	Part Number	Part Name	Req	Remarks
<b>ACCESSORY DRIVE PULLEY OPTION AD1701</b>				
1	70550	Dowel, Pin	1	Base pulley only. Water pump drive for two piece accessory drive arrangement. Pulley designed to drive a 6 rib "K" section polyvee belt. Re: Large shaft. Assembly and repair areas have a mandatory requirement to use an oil seal assembly guide.
2	193136	Washer, Plain	1	
3	3012526	Nut, Hexagon Flange	1	
4	3076202	Seal, Dust	1	
5	3081163	Pulley, Accessory Drive	1	

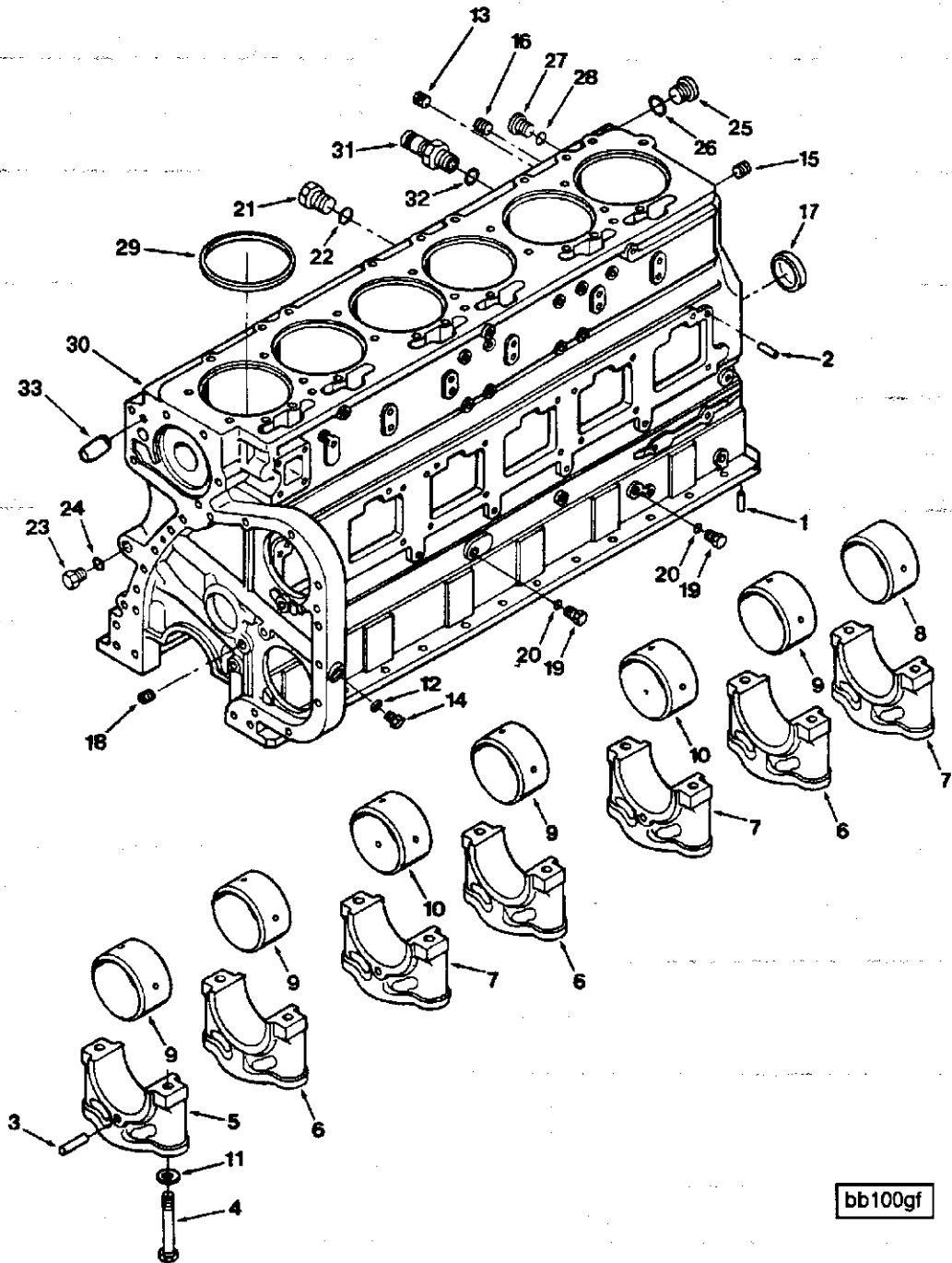




ap100gd

Ref No.	Part Number	Part Name	Req	Remarks
<b>AGENCY APPROVAL OPTION AP1001</b>				
1	3077274	Dataplate	1	This option may only be used in applications that do not require certification. It may not be used in the U.S. for industrial non-road or automotive applications without an exemption.
2	3056508	Screw, Drive	3	

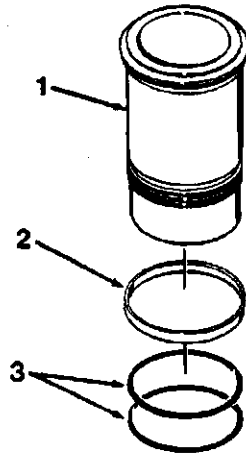




bb100gf

Ref No.	Part Number	Part Name	Req	Remarks
		<b>CYLINDER BLOCK OPTION BB1701</b>		Engine block includes cylinder block, liners, crankshaft, HCR spur crankshaft gear, bearings, and associated block hardware for use with non-targeted piston cooling nozzles. Draincock supplied in kit.
	3803718 (3081280)	Block, Cylinder	1	
1	67211	Dowel, Rear Main Bearing	2	
2	68585	Dowel, Pin	6	
3	202903	Pin, Roll	2	
4	3411337	Screw, Hexagon Head Cap	14	
5	3008047	Cap, Main Bearing	3	
6	3008048	Cap, Main Bearing	3	
7	3008049	Cap, Main Bearing	1	
8	3011951	Bushing	1	
9	3028075	Bushing	4	
10	3028269	Bushing	2	
11	3046246	Washer, Plain	14	3/4 inch
12	66292	Washer, Plain	1	7/8 inch
13	69901	Plug, Pipe	4	1/8 NPT
14	210884	Plug, Threaded	1	7/8 - 18 UNS
15	3066323	Plug, Threaded	1	1 5/8 - 12 UN
16	3008468	Plug, Pipe	2	1/2 NPT
17	3011952	Plug, Expansion	1	
18	3013786	Plug, Pipe	3	3/8 NPT
19	3037536	Plug, Threaded	6	9/16 - 18 UNF
20	3037537	Seal, O Ring	6	
21	3040618	Plug, Threaded	1	
22	3035228	Seal, O Ring	1	
23	3046202	Plug, Threaded	3	3/4 - 16 UNF
24	3046201	Seal, O Ring	3	
25	3066323	Plug, Threaded	1	1 5/8 - 12 UN
26	3063166	Seal, O Ring	1	
27	3071181	Plug, Threaded	1	3/8 - 24 UNF
28	3034412	Seal, O Ring	1	
29	3054948	Ring, Liner Seal	6	0.0205 Inch (white)
29	3054947	Ring, Liner Seal	A/R	0.0195 Inch (black)
29	3054949	Ring, Liner Seal	A/R	0.0215 Inch (orange)
29	3019959	Ring, Liner Seal	A/R	0.031 Inch
29	3019960	Ring, Liner Seal	A/R	0.062 Inch
30	(3081279)	Block, Cylinder	1	
31	3042619	Nipple, Coupling	1	
32	3037537	Seal, O Ring	1	
33	3070475	Pin, Roll	1	
	3087690	Draincock	1	Supplied in kit.

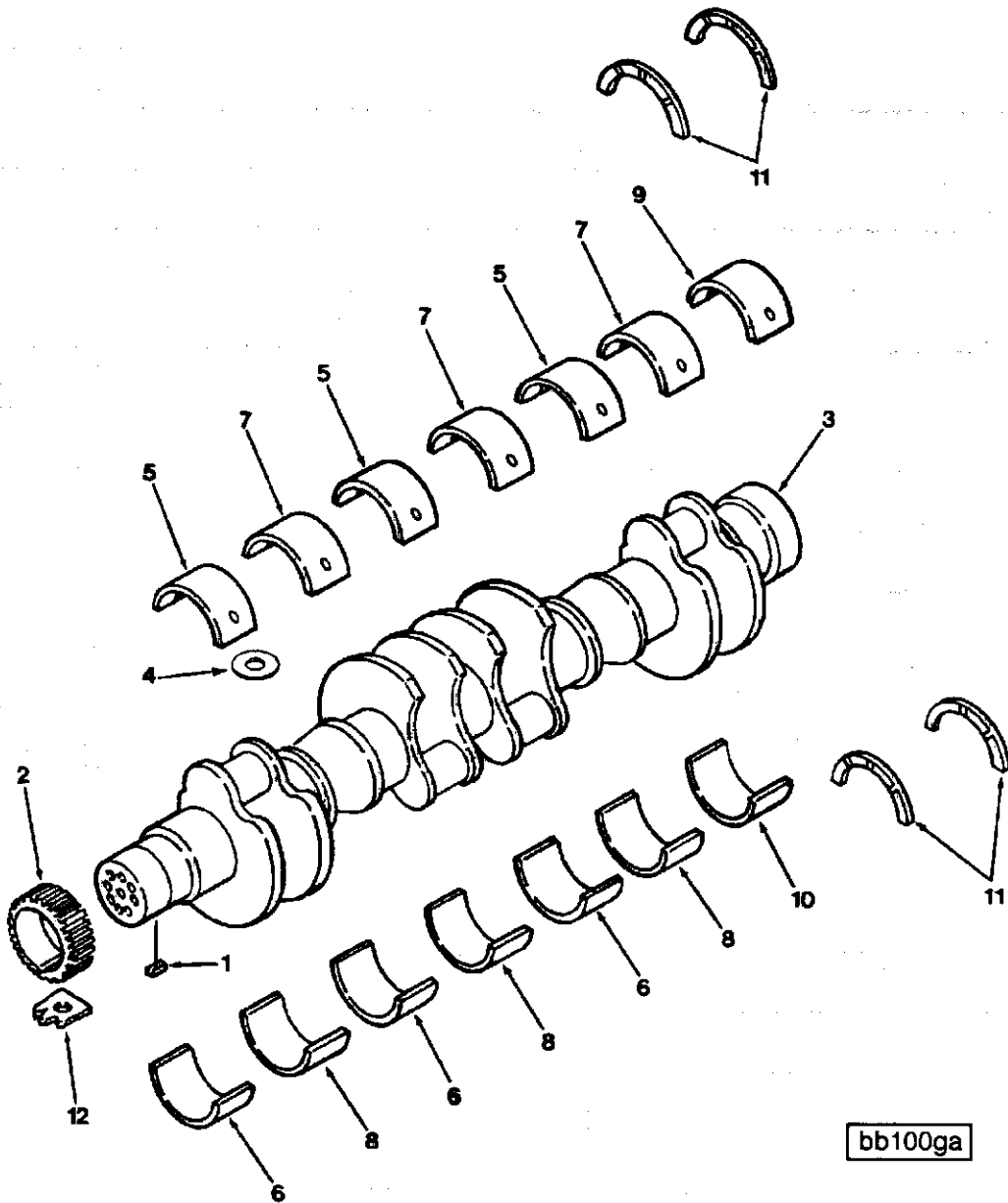




bb100gb

Ref No.	Part Number	Part Name	Req	Remarks
<b>CYLINDER LINER KIT</b>				
<b>OPTION BB1701</b>				
1	3801826 (3055099)	Kit, Cylinder Liner Liner, Cylinder	6 1	
2	215090	Seal, O Ring	1	
3	3032874	Seal, O Ring	2	

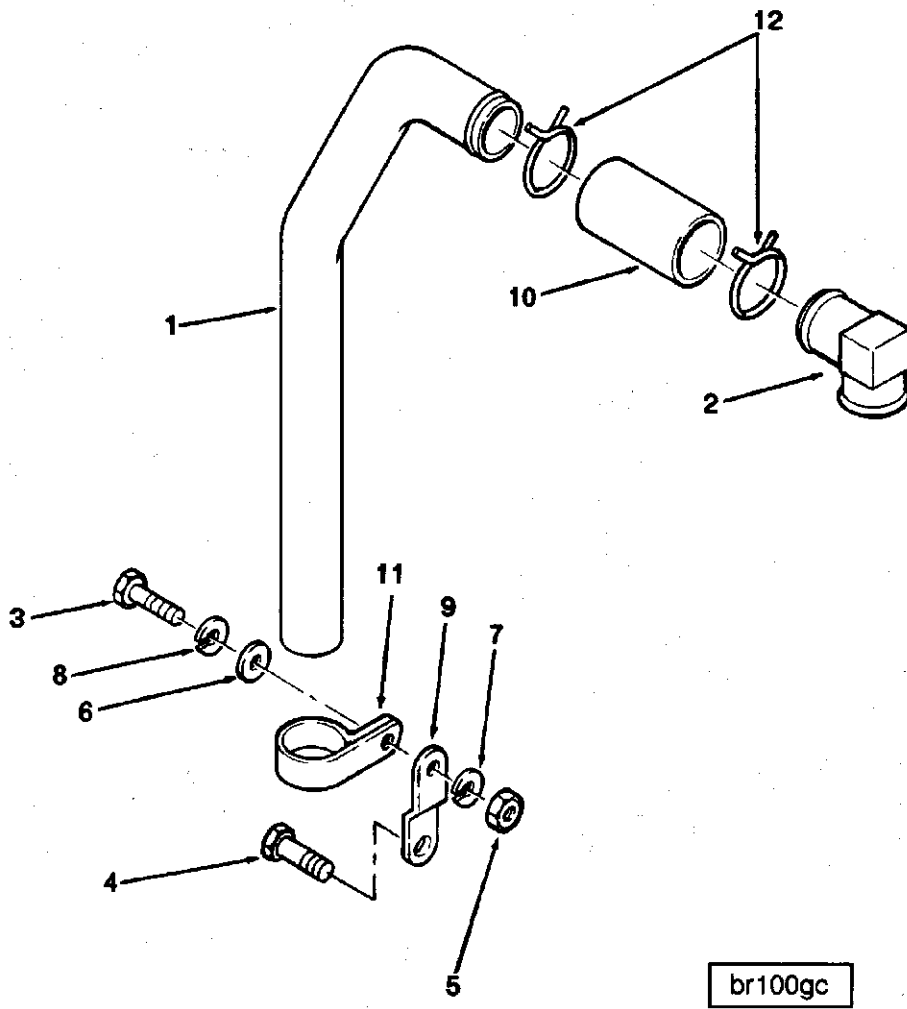




bb100ga

Ref No.	Part Number	Part Name	Req	Remarks
		<b>CRANKSHAFT</b>		
		<b>OPTION BB1701</b>		
1	210179	Key, Rectangular	1	
2	3073344	Gear, Crankshaft	1	HCR spur gear
3	3064291	Crankshaft, Engine	1	
		<b>MAIN BEARINGS</b>		
4	3037045	Dowel, Ring	7	
	3801260	Set, Main Bearing	1	Standard
5	3019174	Bearing, Main	3	Upper 1, 3 and 5
6	3019180	Bearing, Main	3	Lower 1, 3 and 5
7	3019186	Bearing, Main	3	Upper 2, 4 and 6
8	3019192	Bearing, Main	3	Lower 2, 4 and 6
9	3019198	Bearing, Main	1	Upper 7
10	3019204	Bearing, Main	1	Lower 7
11	3067568	Bearing, Thrust	4	
12	3009213	Lockplate	14	Not used on N14
	3801261	Set, Main Bearing	1	0.010 Inch Oversize
	3801262	Set, Main Bearing	1	0.020 Inch Oversize
	3801263	Set, Main Bearing	1	0.030 Inch Oversize
	3801264	Set, Main Bearing	1	0.040 Inch Oversize





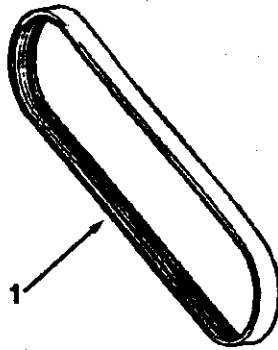
br100gc

Group No. 03.02

**Crankcase Breather**

Option No. BR1178

Ref No.	Part Number	Part Name	Req	Remarks	
		<b>CRANKCASE BREATHER OPTION BR1178</b>		Breather located over No. 6 cylinder. Breather vent tube extends from No. 6 cylinder toward rear corner of cylinder block exhaust side. Clipped and terminated just below top of block.	
1	3008035	Tube, Breather	1		
2	3047134	Tube, Breather	1		
3	S 109	Screw, Hexagon Head Cap	1		3/8 - 16 x 7/8 inch
4	S 190	Screw, Hexagon Head Cap	1		5/8 - 18 x 1 inch
5	S 223	Nut, Heavy Hexagon	1		3/8 - 16 UNC
6	S 602	Washer, Plain	2		3/8 inch
7	S 603	Washer, Lock	1		5/8 inch
8	S 604	Washer, Lock	1		3/8 inch
9	113710	Brace, Tube	1		
10	64775	Hose, Plain	1		
11	3082570	Clip	2		
12	3008596	Clamp, Spring Hose	2		

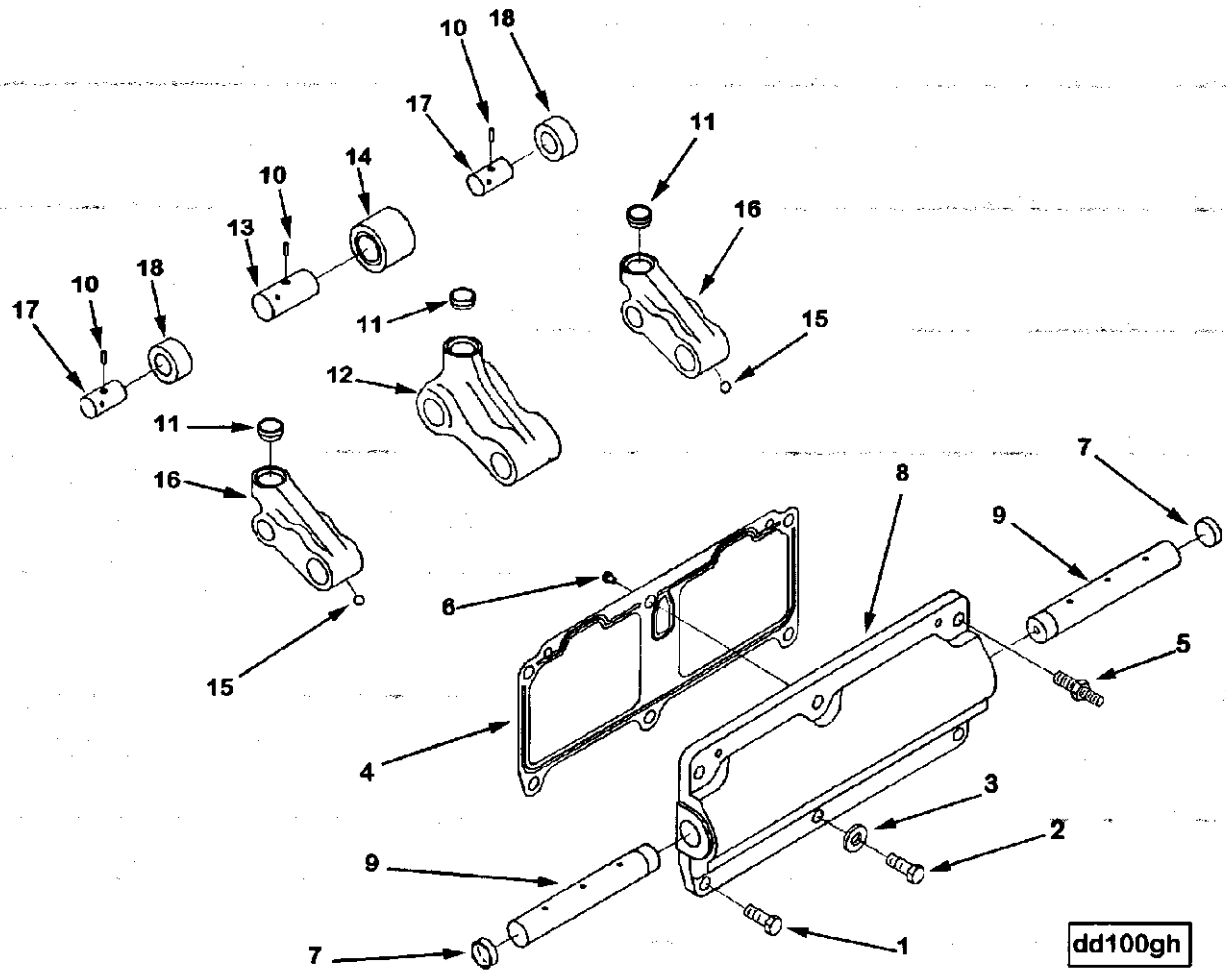


cf100gd

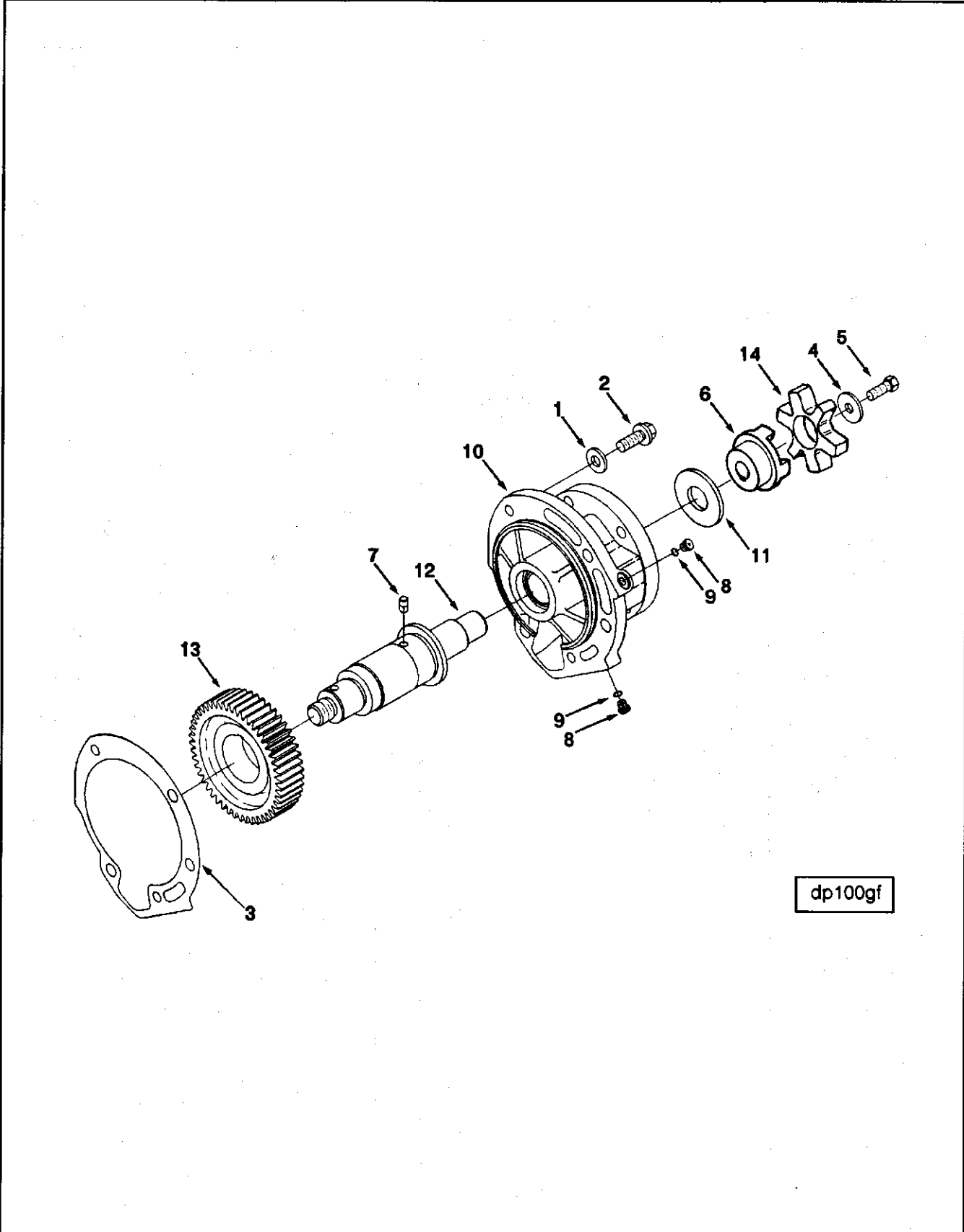
Ref No.	Part Number	Part Name	Req	Remarks
1	3040289	<p style="text-align: center;"><b>REF COMPRESSOR MOUNTING OPTION CF1020</b></p> <p>Belt, Top Cog</p>	1	<p>V-belt to be hung on open groove of accessory drive pulley before fan v-belts are installed and proper tension applied. Belts for use with customer supplied freon compressor.</p>







Ref No.	Part Number	Part Name	Req	Remarks
		<b>CAM FOLLOWER OPTION DD1704</b>		Cam follower housing and mounting for use on engines without air compressors.
		<b>CAM FOLLOWER HOUSING MOUNTING</b>		
1	S 120 A	Screw, Hexagon Head Cap	8	
2	S 194	Screw, Hexagon Head Cap	1	3/8 - 24 x 1 1/4 inch
3	108330	Washer, Plain	1	3/8 inch
4	3068473	Gasket, Cam Fol Housing	3	
5	3081278	Screw, Hexagon Head Cap	9	
		<b>CAM FOLLOWER HOUSING</b>		
	3865239	Housing, Cam Follower	3	
6	69736	Screw, Cam Follower Shaft	2	
7	205401	Plug, Expansion	2	
8	3055280	Housing, Cam Follower	1	
9	3066217	Shaft, Cam Follower	2	
	3083945	Lever, Cam Follower	2	
10	3064309	Pin, Roll	1	
11	3064621	Socket, Tappet	1	
12	(3074163)	Lever, Cam Follower	1	
13	3074164	Pin, Cam Follower Roller	1	
14	3895489	Roller, Cam Follower	1	
	3865238	Lever, Cam Follower	4	
10	3064309	Pin, Roll	1	
11	3064621	Socket, Tappet	1	
15	3067941	Plug, Ball	1	
16	3075026	Lever, Cam Follower	1	
17	3075027	Pin, Cam Follower Roller	1	
18	3865237	Roller, Cam Follower	1	



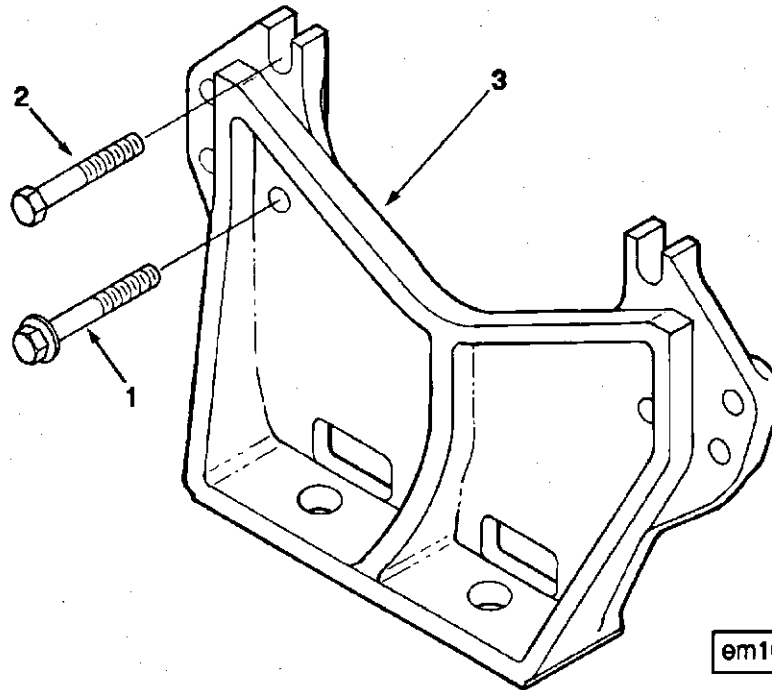
dp100gf

Group No. 09.01

Fuel Pump Drive

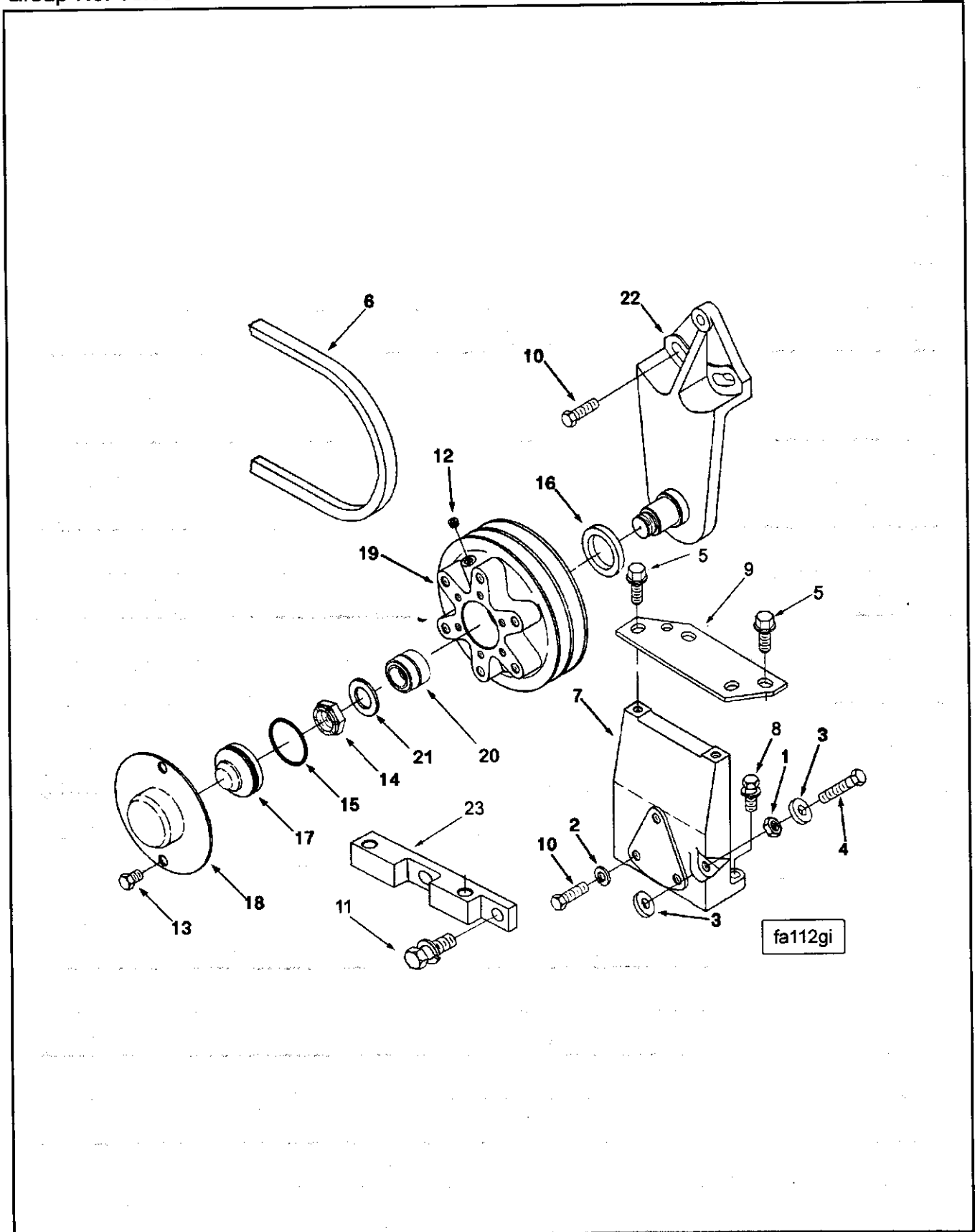
Option No. DP1018

Ref No.	Part Number	Part Name	Req	Remarks
		<b>FUEL PUMP DRIVE OPTION DP1018</b>		Accessory drive and mounting for engines without air compressors. Includes HCR spur gear and large accessory drive shaft.
1	70880	Washer, Plain	1	3/8 inch
2	3049670	Screw, Captive Washer Cap	5	7/16 - 20 x 1 1/4 inch
3	3076225	Gasket, Acc Drive Support	1	
	3088845	Assembly, Accessory Drive	1	
4	170664	Washer, Plain	1	3/8 inch
5	3000173	Screw, Hexagon Head Cap	1	3/8 - 16 x 1 inch
6	3000175	Hub, Jaw Coupling	1	
7	3034438	Pin, Groove	1	
	3067987	Housing, Accessory Drive	1	
8	3033742	Plug, Threaded	2	5/16 - 24 UNF
9	3034412	Seal, O Ring	2	
10	(3072367)	Support, Accessory Drive	1	
11	3072316	Washer, Plain	1	1 1/32 inch
12	3076500	Shaft, Accessory Drive	1	
13	3078310	Gear, Accessory Drive	1	
14	3046200	Spider, Jaw Coupling	1	



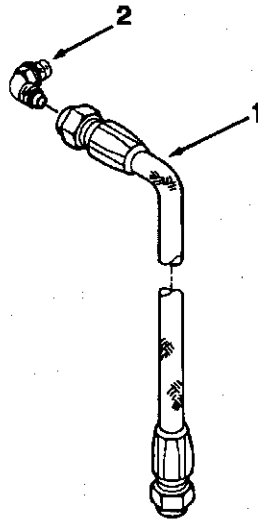
Ref No.	Part Number	Part Name	Req	Remarks	
		<b>FRONT ENGINE SUPPORT OPTION EM1253</b>		Front support and mounting to gear cover with narrow span two hole pad type mounting surface located 8 inches (203 MM) below crank centerline.	
1	3058664	Screw, Hexagon Head Cap	2		7/16 - 20 x 2 1/2 inch
2	3054889	Screw, Hex Flange Head Cap	6		7/16 - 20 x 2 3/4 inch
3	3063029	Support, Front Engine	1		





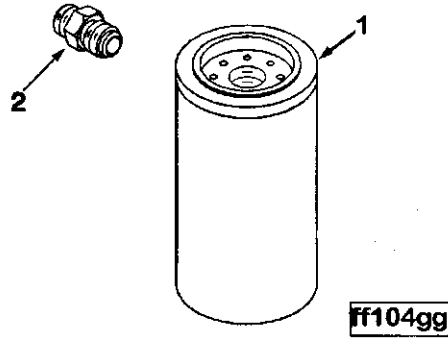
Ref No.	Part Number	Part Name	Req	Remarks
		<b>FAN DRIVE OPTION FA1370</b>		Fan drive supplier: Cummins. Fan center location (in): 13.00 (330.2 mm). Fan drive ratio: 0.86:1. Fan center style: adjustable; driven from accessory drive mounted to the water pump. Fan hub pilot diameter (in) 2 (50.8 mm). Fan bracket type: Pivot. Pulley groove type: Dual .800 V. Fan pulley diameter: P 207.772 mm (8.180 in). Fan drive groove location: 129.794 mm (5.11 in). Fan hub adjusting screw supplier: Cummins. Belt tensioning method: Manual. Fan bracket mounting location: Block mounted. Fan mounting surface location: 200.66 mm (5.11 in)
1	S 285	Nut, Heavy Hexagon Jam	1	1/2 - 13 UNC.
2	S 608	Washer, Lock	3	1/2 inch
3	117267	Washer, Counter Weight	2	
4	166777	Screw, Hexagon Head Cap	1	1/2 - 13 X 2 1/4 Inch.
5	3100066	Screw, Hex Flange Head Cap	4	7/16 - 14 x 1 1/8 inch
6	178707	Belt, V	2	
7	3099798	Support, Fan	1	
8	3069634	Screw, Captive Washer Cap	2	1/2 - 13 X 1 5/8 Inch.
9	3099799	Bracket, Fan	1	
10	3076314	Screw, Hexagon Head Cap	3	
11	3076316	Screw, Captive Washer Cap	2	
	3355230	Assembly, Fan Hub	1	
12	S 911 B	Plug, Pipe	1	1/8 NPT
13	70896	Screw, Hexagon Head Cap	2	1/2 - 13 x 3/4 Inch
14	142176	Nut, Lock	1	1 1/8 - 12 UNF
15	145551	Seal, O Ring	1	
16	200307	Seal, Oil	1	
17	200310	Cover, Fan Hub	1	
18	210888	Cover, Fan Hub	1	
19	211865	Pulley, Fan	1	
20	3081164	Bearing, Roller	1	
21	3012467	Washer, Plain	1	1 1/8 Inch
22	3355231	Spindle, Fan	1	
23	3099800	Bracket, Fan	1	



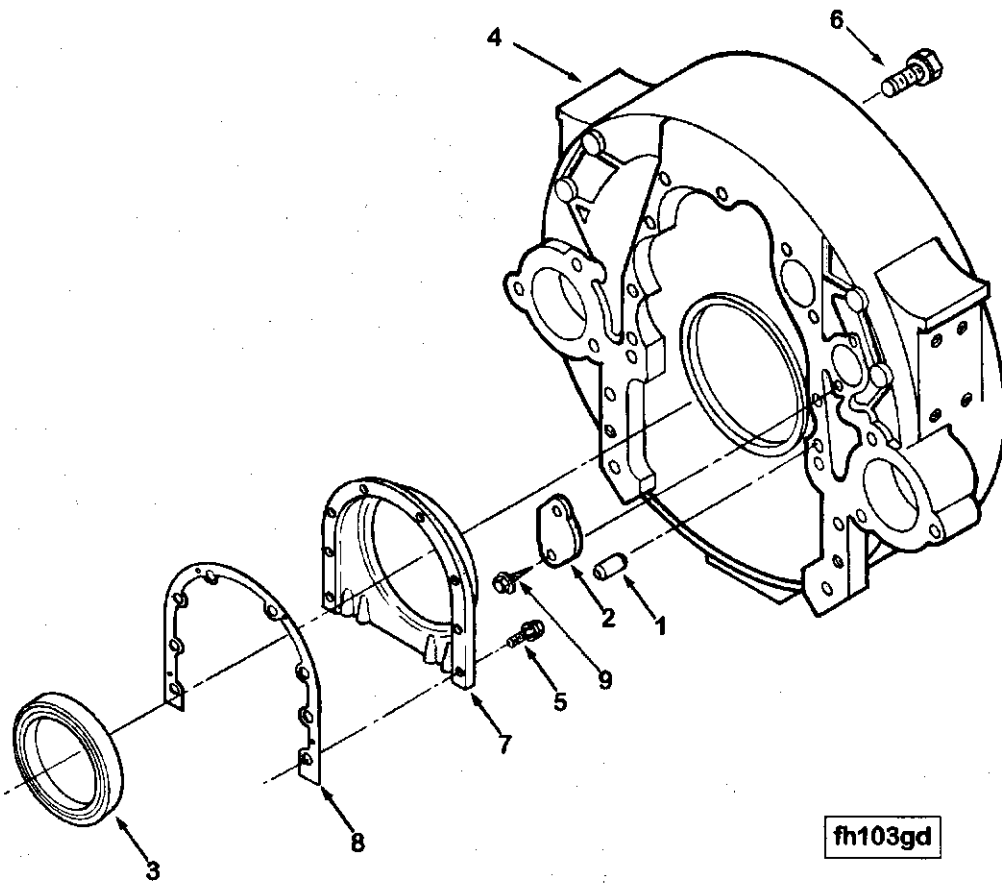


fe100gl

Ref No.	Part Number	Part Name	Req	Remarks
<b>AIR FUEL CONTROL PLUMBING</b>				
<b>OPTION FE1724</b>				
1	AK 4018 SS	Hose, Flexible	1	AFC line running from intake manifold to fuel pump. Use with Industrial STC less air compressor.
2	68139	Elbow, Male Adapter	1	



Ref No.	Part Number	Part Name	Req	Remarks
1 2	3315843 129866	<p style="text-align: center;"><b>FUEL FILTER OPTION FF1133</b></p> <p>Separator, Fuel Water Union, Male</p>	1	<p>Single spin on fuel/water separator mounted on rear of fuel pump. Provides straight inlet fitting.</p>

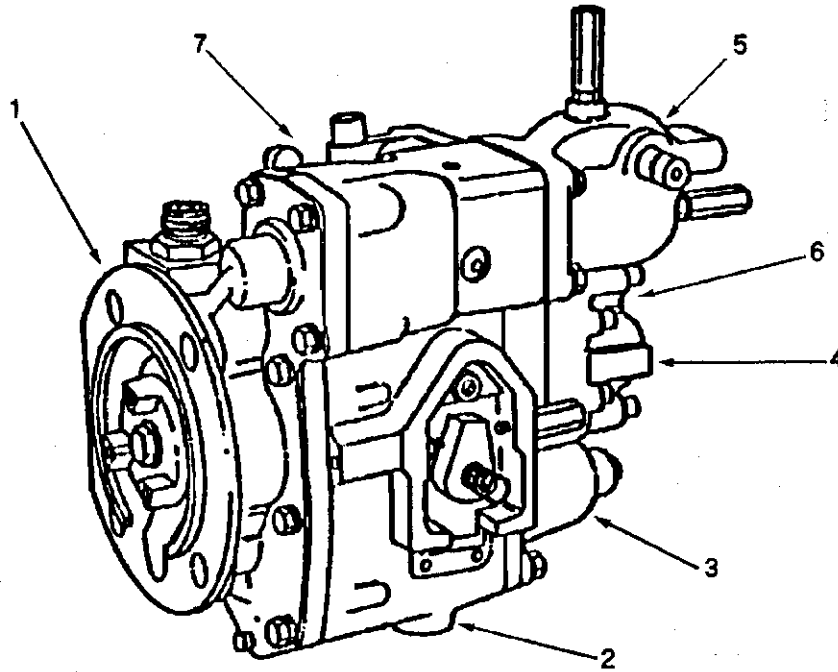


Group No. 16.01

Flywheel Housing

Option No. FH11057

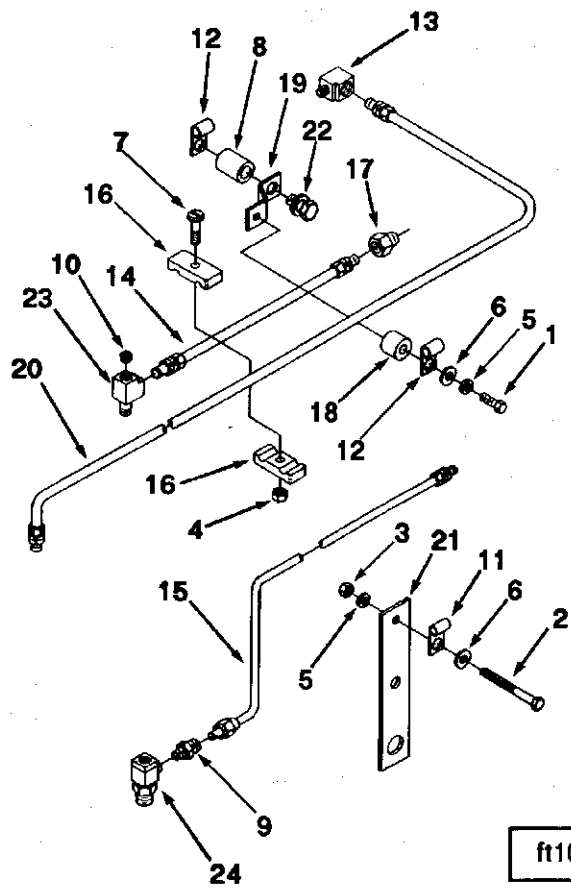
Ref No.	Part Number	Part Name	Req	Remarks
		<b>FLYWHEEL HOUSING OPTION FH11057</b>		SAE #1 dry type closed cast iron flywheel housing with both high and low mounting pads machined. Starter bore machined on exhaust side only, No. 2 quadrant. Has provision for magnetic pick-up.
1	60408	Dowel, Pin	2	
2	70657	Cover, Access Hole	1	
3	3006737	Seal, Oil	1	
4	3005557	Housing, Flywheel	1	
5	3010594	Screw, Captive Washer Cap	8	3/8 - 24 x 1 1/2 Inch
6	3048351	Screw, Captive Washer Cap	9	5/8 - 18 x 1 1/2 Inch
7	3049018	Cover, Rear	1	
8	3067616	Gasket, Rear Cover	1	
9	3077771	Screw, Self Tapping Metal	2	



fp101gh

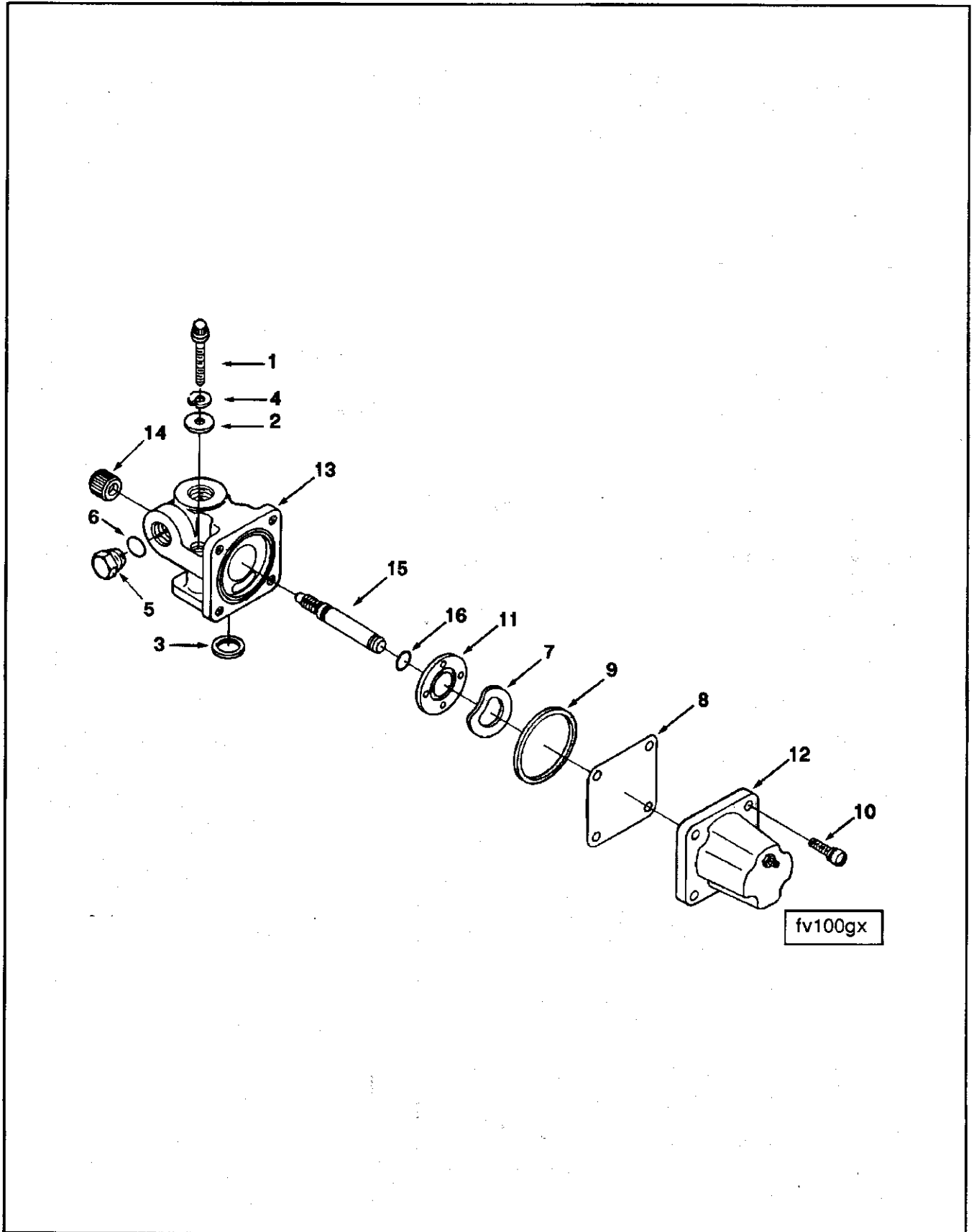
Ref No.	Part Number	Part Name	Req	Remarks
		<b>FUEL PUMP OPTION FP10120</b>		PTG/VS/Dual AFC. EDM barrel and plunger. 3/4 inch gear pump. No tachometer provision. To suit direct mounted fuel filter.
	(3892658)	Assembly, Fuel Pump	1	
1	3052863	Fuel Pump Front Cover	1	Reference group 05.01.2
2	3069255	Fuel Pump Housing	1	Reference group 05.01.1
3	3065376	Spring Pack Cover	1	Reference group 05.01.7
4	3034243	Fuel Pump Gear Assembly	1	Reference group 05.01.4
5	3020523	VS Spring Pack	1	Reference group 05.01.7
6	(AR12110)	Damper, Fuel Pump & Mtg	1	
7	(3070751)	AFC Assembly	1	Reference group 05.01.5





Ref No.	Part Number	Part Name	Req	Remarks
		<b>FUEL PLUMBING OPTION FT10136</b>		Fuel tubing for industrial engines with high or low mount STC location less air compressor. Drain location DL1031. VS fuel pump with lube oil viscosity sensor. Class fit AFC.
1	S 114	Screw, Hexagon Head Cap	1	1/4 - 20 X 3/4 Inch.
2	S 182 B	Screw, Hexagon Head Cap	2	1/4 - 20 X 2 1/2 Inch.
3	S 224	Nut, Heavy Hexagon	1	1/4 - 20 UNC.
4	S 251	Nut, Regular Hexagon Jam	1	1/4 - 28 UNF.
5	S 600	Washer, Lock	2	1/4 Inch.
6	S 631	Washer, Plain	2	1/4 Inch.
7	S 1315	Screw, Pan Head Cap	1	1/4 - 28 X 1 Inch.
8	64709	Spacer, Mounting	2	
9	68138	Connector, Male	1	
10	68606	Plug, Pipe	1	1/8 NPT.
11	180371	Clip	1	
12	180372	Clip	3	
13	181213	Elbow, Plain Adapter	1	
14	3003578	Tube, Fuel Drain	1	
15	3003580	Tube, Fuel Bypass	1	
16	3007025	Clamp, Tube	2	
17	3018889	Connector, Female	1	
18	3019301	Spacer, Mounting	2	
19	3033098	Brace, Tube	2	
20	3061426	Tube, Fuel Supply	1	
21	3065109	Brace, Tube	1	
22	3069120	Screw, Captive Washer Cap	2	3/8 - 24 X 3/4 Inch.
23	3069178	Tee, Street Pipe	1	
24	3074372	Tee, Male Run	1	



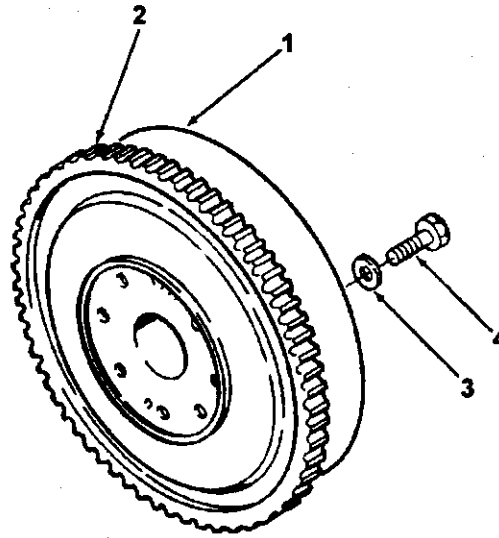


Group No. 05.06

Fuel Shutoff Valve

Option No. FV1016

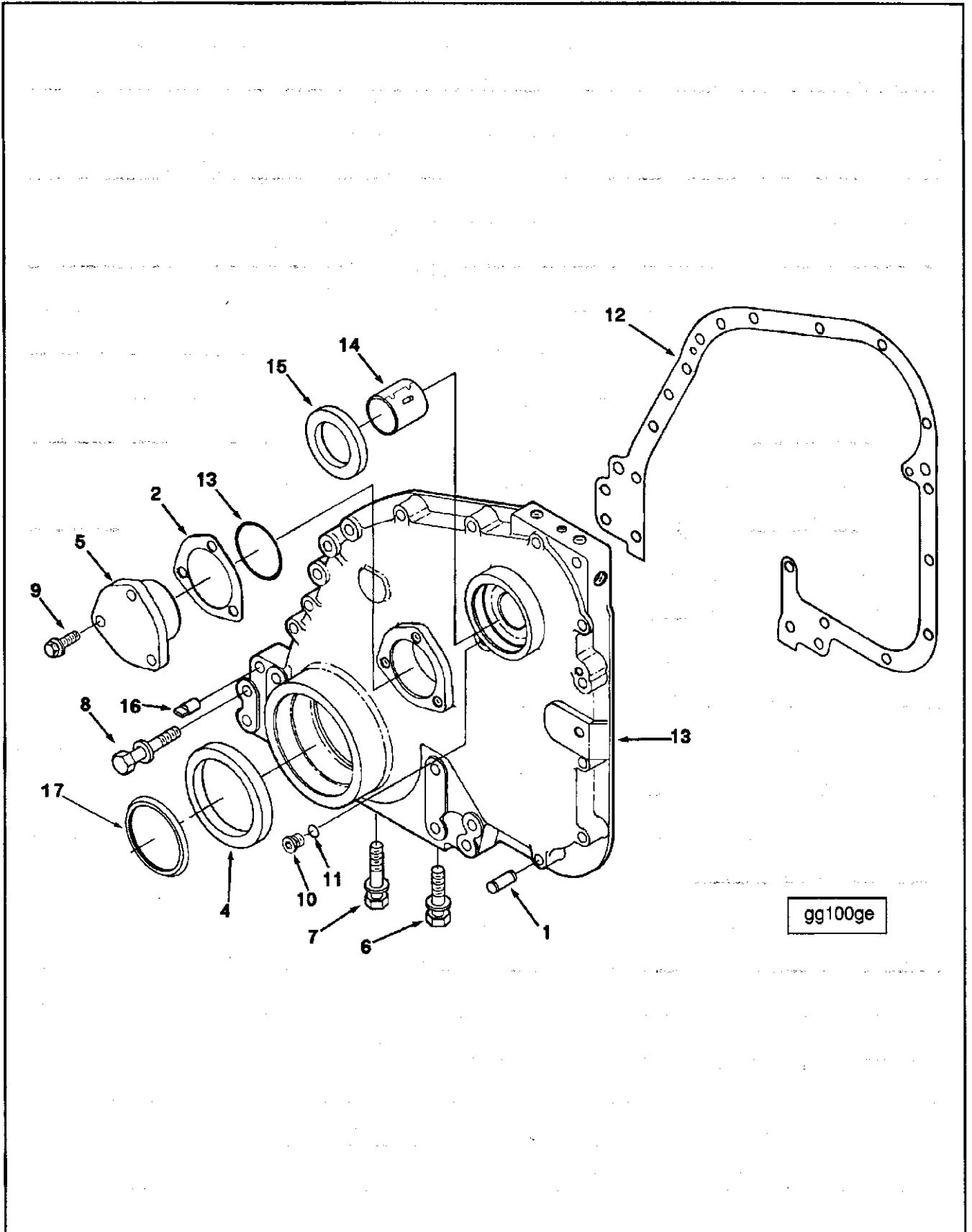
Ref No.	Part Number	Part Name	Req	Remarks
		<b>FUEL SHUTOFF VALVE OPTION FV1016</b>		12 Volt DC solenoid operated fuel shutoff valve, single terminal for use on VS or road speed fuel pumps.
1	S 189 C	Screw, Socket Head Cap	2	1/4 - 20 x 1 3/4 inch
2	67684	Washer, Plain	2	1/4 inch
3	154087	Seal, Rectangular	1	
4	181466	Washer, Lock	2	1/4 inch
5	3067424	Plug, Threaded	1	1/2 - 20 UNF
6	3037236 (3073889)	Seal, O Ring Assembly, Shutoff Valve	1 1	
7	129768	Spring, Shutoff	1	
8	129839	Shield, Shutoff	1	
9	129888	Seal, Rectangular	1	
10	187556	Screw	4	#10 - 24 x 5/8 inch
11	3030970	Disc, Valve	1	
12	3054608	Solenoid	1	
13	3073890	Body, Shutoff Valve	1	
14	129838	Knob	1	
15	3013036 (3073891)	Shaft, Shutoff Valve Body, Shutoff Valve	1 1	
16	3279794	Seal, O Ring	1	



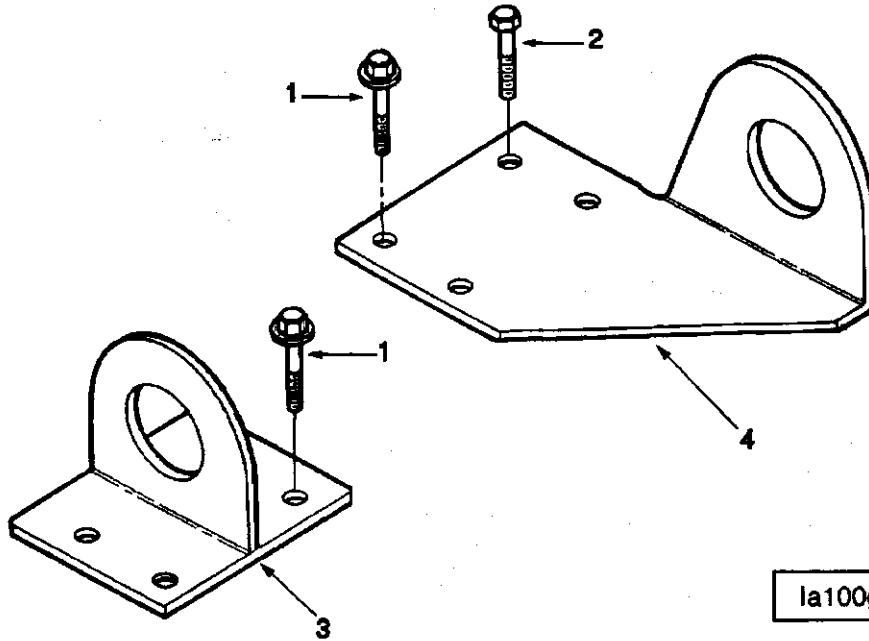
fw100ga

Ref No.	Part Number	Part Name	Req	Remarks
		<b>FLYWHEEL OPTION FW1232</b>		
1	3021660 (129594)	Flywheel Flywheel	1	SAE No.2 flywheel and mounting with 2.83 inch pilot. Use with automotive spring loaded 15.5 inch 2- plate clutch. (Dana-Spicer AS-1552 and Lipe model 15-1/2-LP).
2	3065151	Gear, Flywheel Ring	1	
3	200861	Washer, Plain	1	
4	204165	Screw, Head Locking	6	
			6	5/8 - 18 x 1 5/8 inch





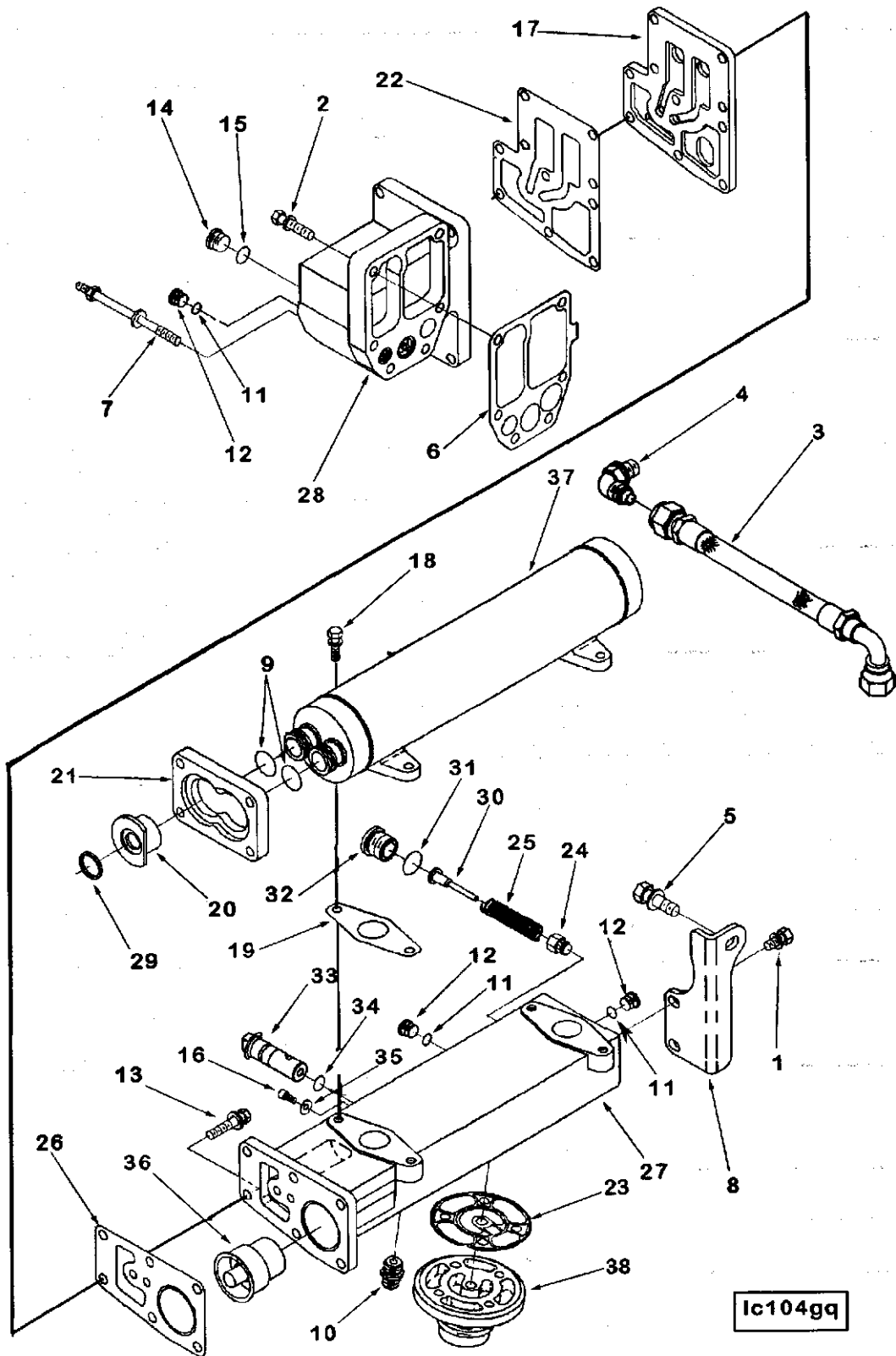
Ref No.	Part Number	Part Name	Req	Remarks
		<b>FRONT GEAR COVER OPTION GG1701</b>		Front gear cover and mounting . Camshaft support and mounting. Requires straight thread o-ring plug for timing hole with large accessory drive shaft.
1	60408	Dowel, Pin	1	
2	65259 A	Shim	1	.010 inch
2	65259 B	Shim	1	.005 inch
2	65259 C	Shim	1	.002 inch
2	185573	Shim	3	.025 inch
3	215705	Seal, O Ring	1	
4	3020186	Seal, Oil	1	
5	3008530	Support, Camshaft Thrust	1	
6	3011712	Screw, Captive Washer Cap	9	7/16 - 20 x 2 3/16 inch
7	3011713	Screw, Captive Washer Cap	1	7/16 - 20 x 2 5/8 inch
8	3011714	Screw, Captive Washer Cap	3	7/16 - 20 x 3 inch
9	3011715	Screw, Captive Washer Cap	3	3/8 - 16 x 1 3/16 inch
10	3037536	Plug, Threaded	1	9/16 - 18 UNF
11	3037537	Seal, O Ring	1	
12	4058949	Gasket, Gear Cover	1	
13	3411458	Cover, Gear	1	
	(3078274)	Cover, Gear	1	
14	3411389	Bushing	1	
15	(3078292)	Seal, Oil	1	
16	70653	Dowel, Diamond		
17	3076203	Seal, Dust	1	



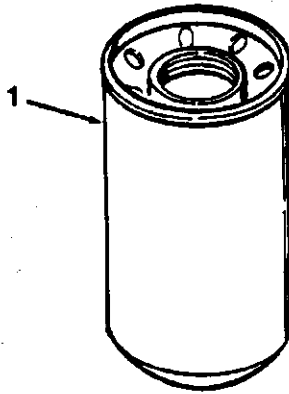
Ref No.	Part Number	Part Name	Req	Remarks
		<b>LIFTING BRACKET OPTION LA1061</b>		Lifting arrangement with mounting brackets on front and rear of engine. With studded capscrew for provision for mounting tube clips.
1	3069633	Screw, Captive Washer Cap	5	1/2 - 13 x 1 3/8 inch
2	3070526	Screw, Hexagon Head Cap	1	
3	3069629	Bracket, Lifting	1	Front
4	3072357	Bracket, Lifting	1	







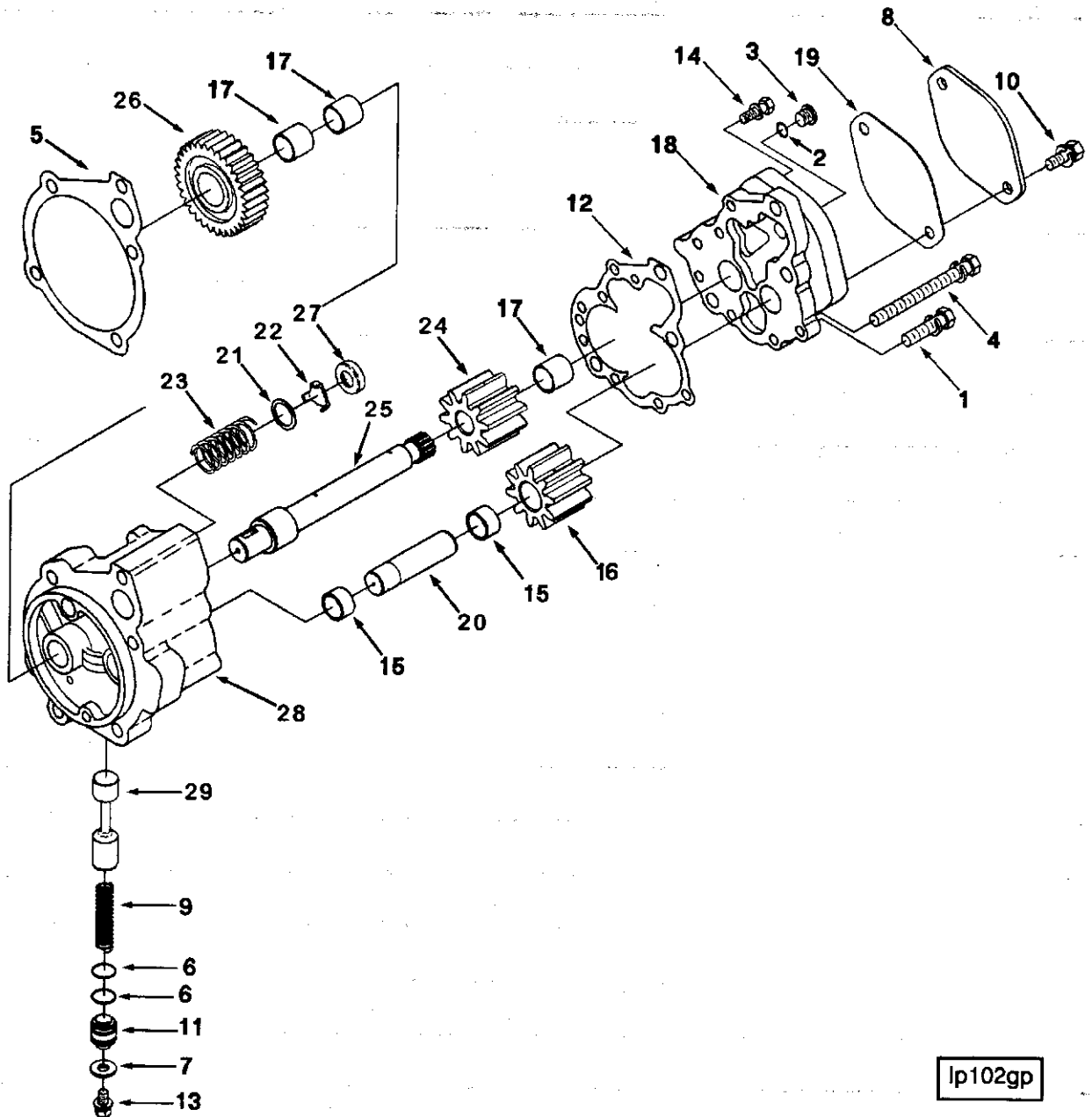
Ref No.	Part Number	Part Name	Req	Remarks
		<b>ENGINE OIL COOLER OPTION LC1018</b>		Dual pass lube oil cooler for use with engine mounted "combo" lube filter. Bypass oil filter hose fittings in cooler and block are orientated upward at approximately 12:00 positions to give the hose an upward loop. This is the standard bypass hose position.
1	3006182	Screw, Captive Washer Cap	2	3/8 - 16 x 7/8 inch
2	3012473	Screw, Captive Washer Cap	2	3/8 - 16 x 1 3/4 inch
3	3035580	Hose, Flexible	1	
4	3037535	Elbow, Male Union	2	
5	3063567	Screw, Captive Washer Cap	1	1/2 - 13 x 1 1/4 inch
6	3066298	Gasket, Oil Cooler Support	1	
7	3067984	Screw, Captive Washer Cap	4	3/8 - 16 x 4 3/4 inch
8	3070501	Bracket, Oil Cooler	1	
	3078408	Assembly, Oil Cooler	1	
9	109080	Seal, O Ring	2	
10	206963	Adapter, Filter Head	1	
	3037536	Plug, Threaded	5	9/16 - 18 UNF
11	3037537	Seal, O Ring	5	
12	(3040813)	Plug, Threaded	5	9/16 - 18 UNF
13	3042889	Screw, Captive Washer Cap	10	3/8 - 16 X 1 7/8 Inch.
	3046202	Plug, Threaded	1	3/4 - 16 UNF
14	3040810	Plug, Threaded	1	
15	3046201	Seal, O Ring	1	
16	3061400	Screw, Socket Head Cap	1	1/4 - 20 X 1/2 Inch.
17	3066277	Spacer, Cooler Support	1	
18	3067955	Screw, Captive Washer Cap	4	5/16 - 18 X 1 1/8 Inch.
19	3069678	Seal, Oil		
20	3069680	Adapter, O Ring	2	
21	3069681	Retainer, Connection	1	
22	3070477	Gasket, Oil Cooler Support	1	
23	3070478	Gasket, Filter Head	1	
24	3072301	Valve, Bypass	1	
25	3072302	Spring, Compression	1	
26	3072341	Gasket, Oil Trf Connection	1	
	(3072374)	Kit, Oil Cooler	1	
27	3072372	Connection, Oil Transfer	1	
28	3081177	Support, Oil Cooler	1	
29	3072375	Seal, Rectangular Ring	2	
30	3072377	Plunger, Bypass Valve	1	
	3072378	Plug, Threaded	1	
31	3046943	Seal, O Ring	1	
32	3072376	Plug, Threaded	1	
33	3803554	Kit, Corr Resistor		
34	3072397	Seal, O Ring	1	
35	3077620	Washer, Plain	1	
36	3059408	Thermostat	1	
37	(3413091)	Cooler, Oil	1	
38	3918334	Head, Lub Oil Filter	1	



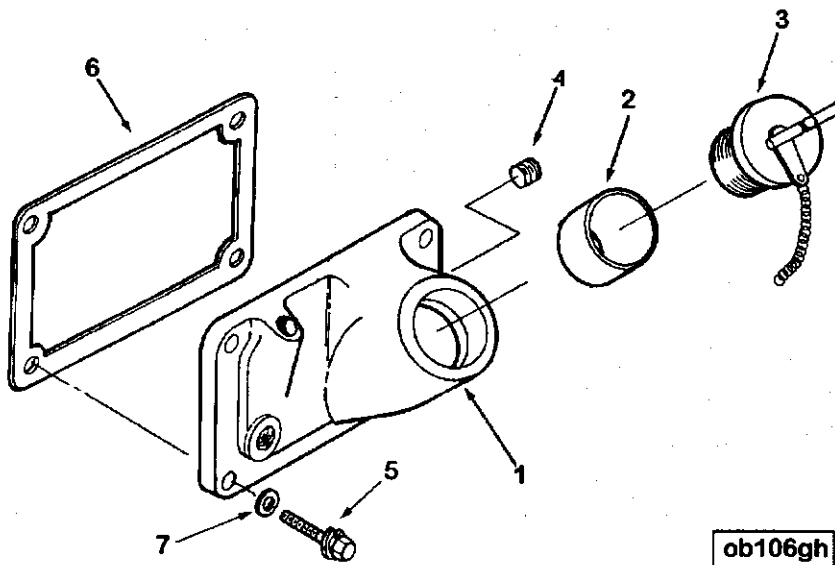
If101gf

Ref No.	Part Number	Part Name	Req	Remarks
1	3401544	<p style="text-align: center;"><b>FULL FLOW OIL FILTER OPTION LF1173</b></p> <p>Element, Lub Oil Filter</p>	1	<p>Combination full flow and bypass lube oil "combo" engine mounted. Bypass oil filter hose fittings in cooler and block are orientated upward at approximately 12:00 positions to give the hose an upward loop. This is the standard bypass hose position. To suit in-line coolers.</p>



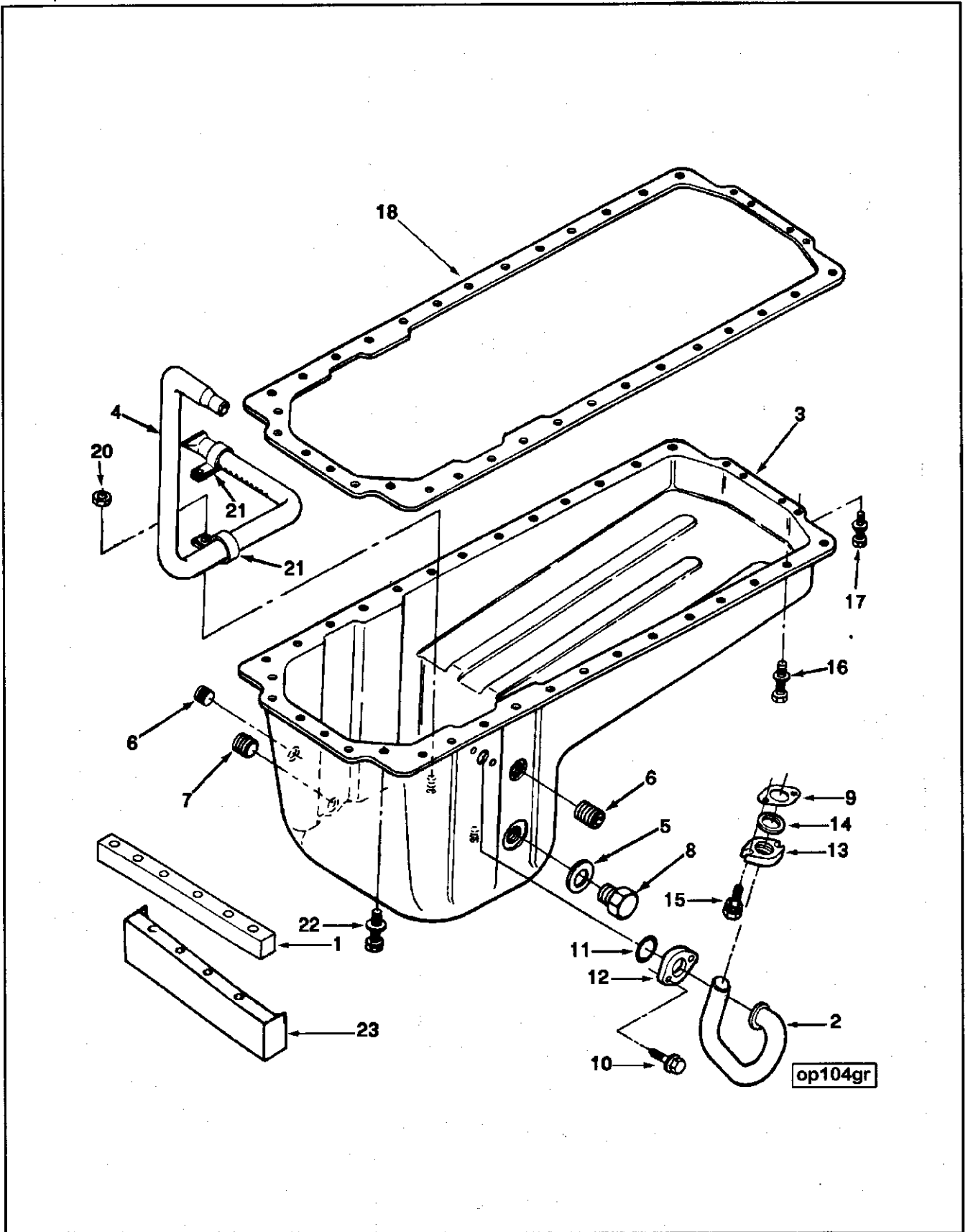


Ref No.	Part Number	Part Name	Req	Remarks
		<b>LUBE OIL PUMP OPTION LP1702</b>		Lubricating oil pump and mounting. Less oil temperature sensor. For use on STC engines. Includes spur gear. For use with large shaft accessory drive assemblies. Drive shaft with 13 tooth spline for SAE B drive specifications.
1	3034526	Screw, Captive Washer Cap	3	7/16 - 20 x 1 3/4 inch
	3037536	Plug, Threaded	1	9/16 - 18 UNF.
2	3037537	Seal, O Ring	1	
3	(3040813)	Plug, Threaded	1	
4	3067461	Screw, Captive Washer Cap	2	7/16 - 20 x 4 1/2 inch
5	3067613	Gasket, Lub Oil Pump	1	
	(3085379)	Pump, Lubricating Oil	1	
6	145504	Seal, O Ring	2	
7	146161	Washer, Plain	1	3/8 inch
8	204048	Plate, Cover	1	
9	3010146	Spring, Compression	1	
10	3010595	Screw, Captive Washer Cap	2	3/8 - 16 x 1 inch
11	3012726	Plug, Retainer	1	
12	3014778	Gasket, Lub Oil Pump Cover	1	
13	3022589	Screw, Captive Washer Cap	1	5/16 - 18 x 5/8 inch
14	3022590	Screw, Captive Washer Cap	7	5/16 - 18 x 1 inch
	3045622	Gear, Lub Oil Pumping	1	
15	68365	Bushing	2	
16	(3045618)	Gear, Lub Oil Pumping	1	
	3068461	Cover, Lub Oil Pump	1	
17	69521	Bushing	1	
18	(3068459)	Cover, Lub Oil Pump	1	
19	3166307	Gasket, Hydraulic Pump	1	
	(3609828)	Pump, Lubricating Oil	1	
20	3012531	Shaft, Idler	1	
21	3014754	Washer, Plain	1	3/4 inch
22	3014755	Disc, Valve	1	
23	3014756	Spring, Compression	1	
24	3609888	Gear, Lub Oil Pumping	1	
25	3078385	Shaft, Lube Oil Pump	1	
26	3078386	Gear, Lubricating Oil Pump	1	
27	3412692	Plug, Retainer	1	
	3821577	Body, Lubricating Oil Pump	1	
28	(3087812)	Body, Lubricating Oil Pump	1	
17	69521	Bushing	2	
29	3884126	Plunger, Prs Regulator	1	

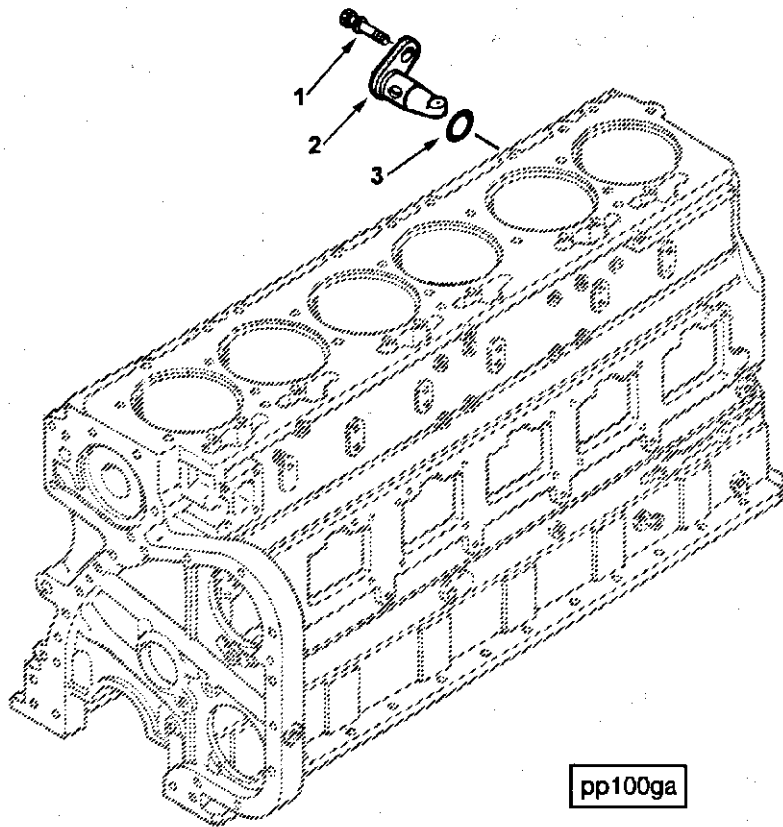


Ref No.	Part Number	Part Name	Req	Remarks
<b>OIL FILLER ARRANGEMENT</b> <b>OPTION OB1347</b>				
				Hand hole cover includes one inch oil fill tube. Offers provision for "press fit" type oil gauge tube.
1	115590	Cover, Hand Hole	1	
2	3070917	Tube, Oil Filler	1	
3	107981	Cap, Filler	1	
4	3008468	Plug, Pipe	1	1/2 NPT.
5	3010596	Screw, Captive Washer Cap	4	3/8 - 16 X 1 1/4 Inch.
6	3068466	Gasket, Hand Hole	1	
7	S 602	Washer, Plain	4	3/8 Inch.





Ref No.	Part Number	Part Name	Req	Remarks
		<b>OIL PAN OPTION OP1142</b>		Stamped steel 9.5 gallon front sump oil pan. Angularity limits: 45 degrees front, 45 degrees front up, 45 degrees side to side. Oil drain on exhaust side.
1	218813	Bracket, Shipping	1	
2	3029848	Tube, Lub Oil Transfer	1	
	3064241	Assembly, Oil Pan		
3	(3064240)	Pan, Oil	1	
4	3095050	Tube, Lube Oil Suction	1	
5	67946	Washer, Plain	1	1 1/32 inch
6	3008468	Plug, Pipe	2	1/2 NPT
7	3008470	Plug, Pipe	1	1 NPT
8	3055069	Plug, Threaded	1	1 - 18 UNS
9	157551	Gasket, Oil Suc Connection	1	
10	3010595	Screw, Captive Washer Cap	2	3/8 - 16 x 1 inch
11	3029847	Seal, O Ring	1	
12	3029850	Plate, Clamping	1	
13	3034830	Retainer, Seal	1	
14	3034986	Seal, Rectangular Ring	1	
15	3035624	Screw, Captive Washer Cap	2	3/8 - 16 x 1 1/2 inch
16	3032674	Screw, Captive Washer Cap	28	7/16 - 20 x 1 1/8 inch
17	3082608	Screw, Captive Washer Cap	4	
18	3068463	Gasket, Oil Pan	1	
20	3095723	Nut, Regular Hexagon	2	
21	3039267	Clip	2	
22	3818599	Screw, Captive Washer Cap	4	7/16 - 14 x 1 7/8 inch
23	3058675	Seal, Dust	1	

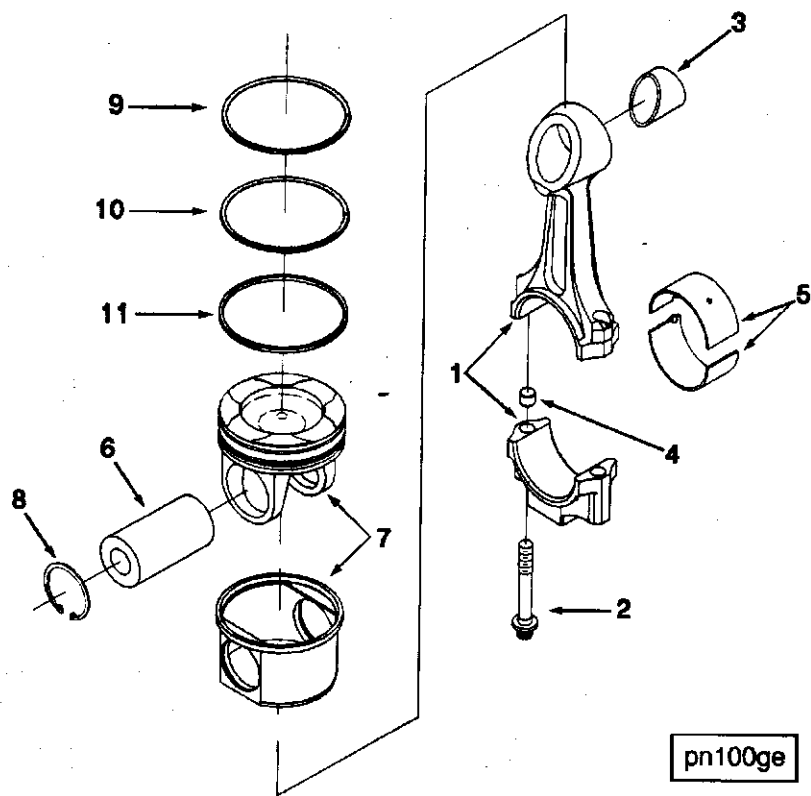


Group No. 01.01.2

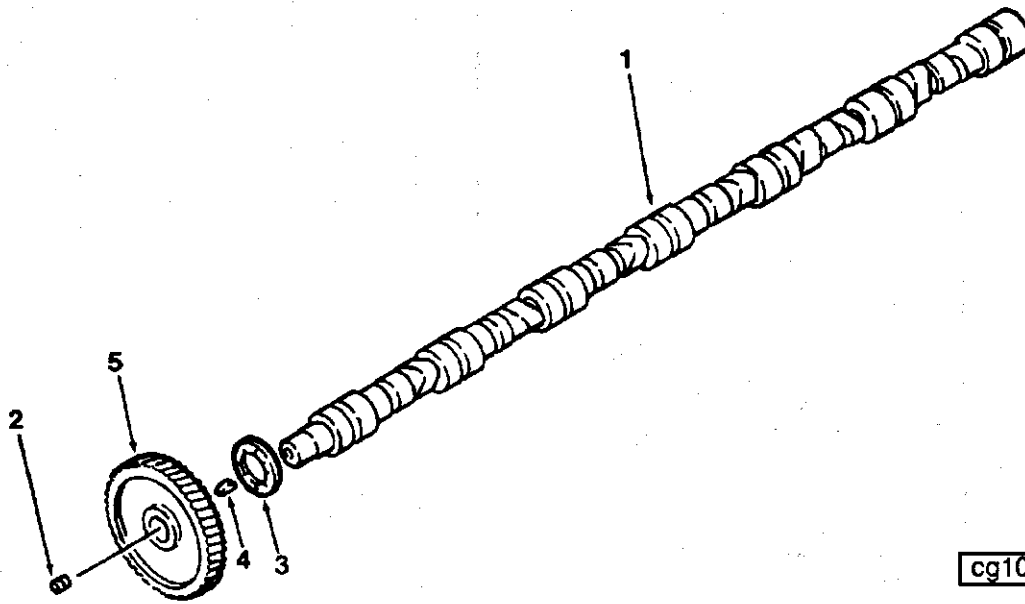
**Piston Cooling Nozzle**

Option No. PP1921,  
PP2033, PP2038

Ref No.	Part Number	Part Name	Req	Remarks
		<b>PISTON COOLING NOZZLE</b>		
		<b>OPTION PP1921</b>		
		<b>OPTION PP2033</b>		
		<b>OPTION PP2038</b>		
1	3067954	Screw, Captive Washer Cap	6	3/8 - 16 x 3/4 inch
2	4058947	Nozzle, Piston Cooling	6	
3	4058941	Seal, O Ring	6	



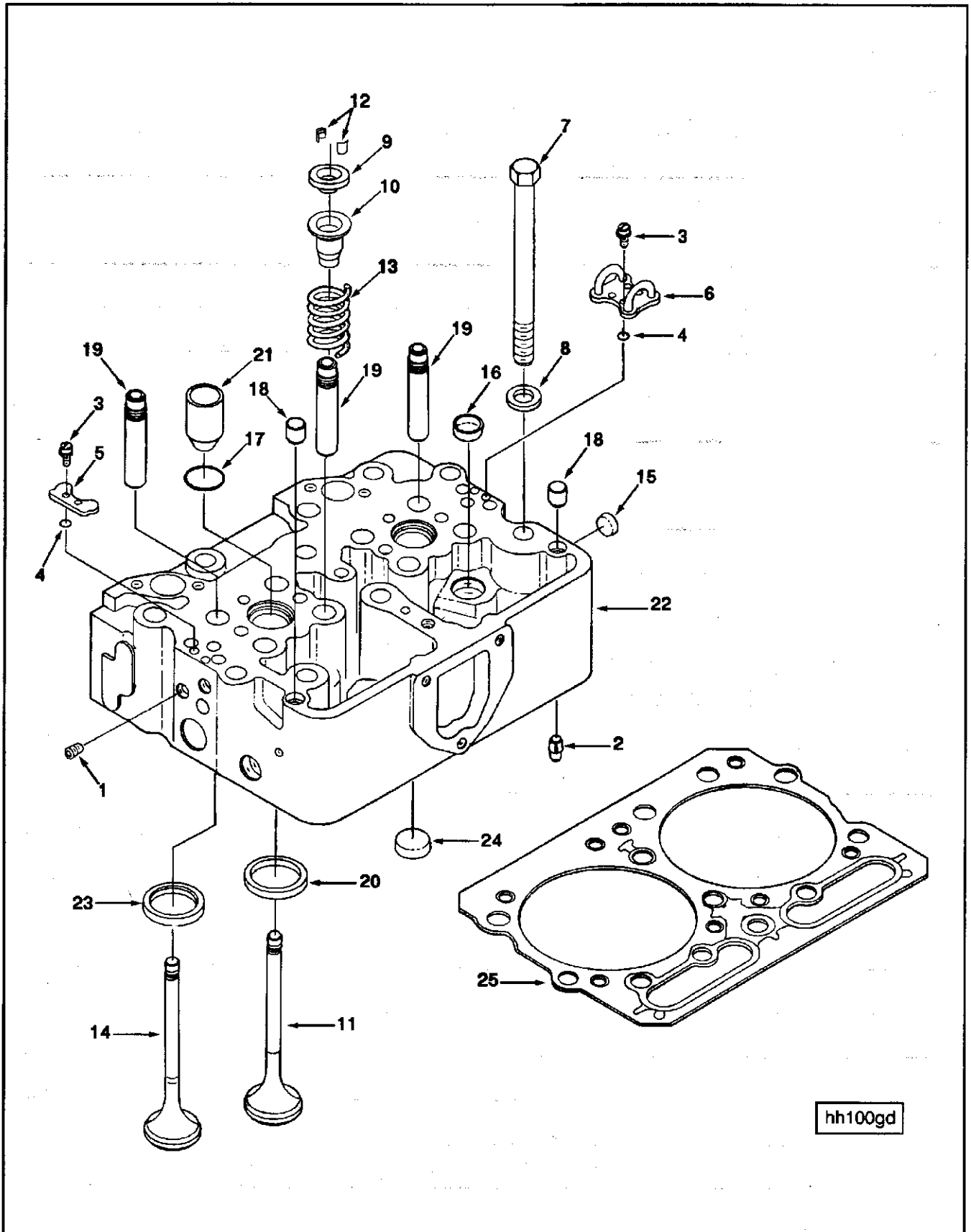
Ref No.	Part Number	Part Name	Req	Remarks
		<b>ENGINE PISTON OPTION PP1921</b>		Certified Model Name: N14-475 Timing gear code: IZ (.167). CPL: 1921 Certified By: EPA,CARB,EU AFC: Yes ASA: No EFC: No ETC: No Manifold Type: Pulse Engine Aspiration: Turbocharged/aftercooled Engine Control System: Centry Application: Nonroad Power Turbine: N/A Design Phase: 94 Product Power Rating: ECM version: Certification Level: Tier 1 Unique Characteristics: Jacket Water aftercooled with step timing control (STC) and lube oil viscosity sensor.
1	3078330 (3078329)	Rod, Engine Connecting	6	
		Rod, Engine Connecting	1	
2	3349806	Screw, Connecting Rod Cap	2	
3	3064295	Bushing	1	
4	219154	Dowel, Ring	2	
5	3055145	Bearing, Connecting Rod	12	
5	3055146	Bearing, Connecting Rod	12	
5	3055147	Bearing, Connecting Rod	12	
5	3055148	Bearing, Connecting Rod	12	
5	3055149	Bearing, Connecting Rod	12	
6	3064304	Pin, Piston	6	
		<b>PISTON</b>		
	3803741	Kit, Engine Piston	6	
7	(3087634)	Top, Piston		
8	3064305	Ring, Retaining	2	
		<b>PISTON RINGS</b>		
	3804500	Set, Piston Ring	6	
9	3064396	Ring, Compression Piston	1	
10	3064397	Ring, Compression Piston	1	
11	3082580	Ring, Oil Piston	1	
		<b>CYLINDER KIT</b>		
	3803742	Kit, Cylinder		
	(3055099)	Liner, Cylinder	1	
	(3087634)	Top, Piston	1	
	3800275	Kit, PDC	1	
	3064304	Pin, Piston	1	
	3800259	Kit, PDC	1	
	215090	Seal, Rectangular Ring	1	
	3032874	Seal, O Ring	2	
	3064305	Ring, Retaining	2	
	3804500	Set, Piston Ring	1	
	3064396	Ring, Compression Piston	1	
	3064397	Ring, Compression Piston	1	
	3082580	Ring, Oil Piston	1	



Ref No.	Part Number	Part Name	Req	Remarks
		<b>CAMSHAFT</b>		
		<b>OPTION PP1921</b>		
		<b>OPTION PP2033</b>		
		<b>OPTION PP2038</b>		
1	3800855 (4025955)	Camshaft	1	
2	68193	Camshaft	1	1/8 NPT
3	215233	Plug, Pipe	1	
4	3021599	Bearing, Thrust	1	
5	3073343	Key, Offset Woodruff	1	
		Gear, Camshaft	1	







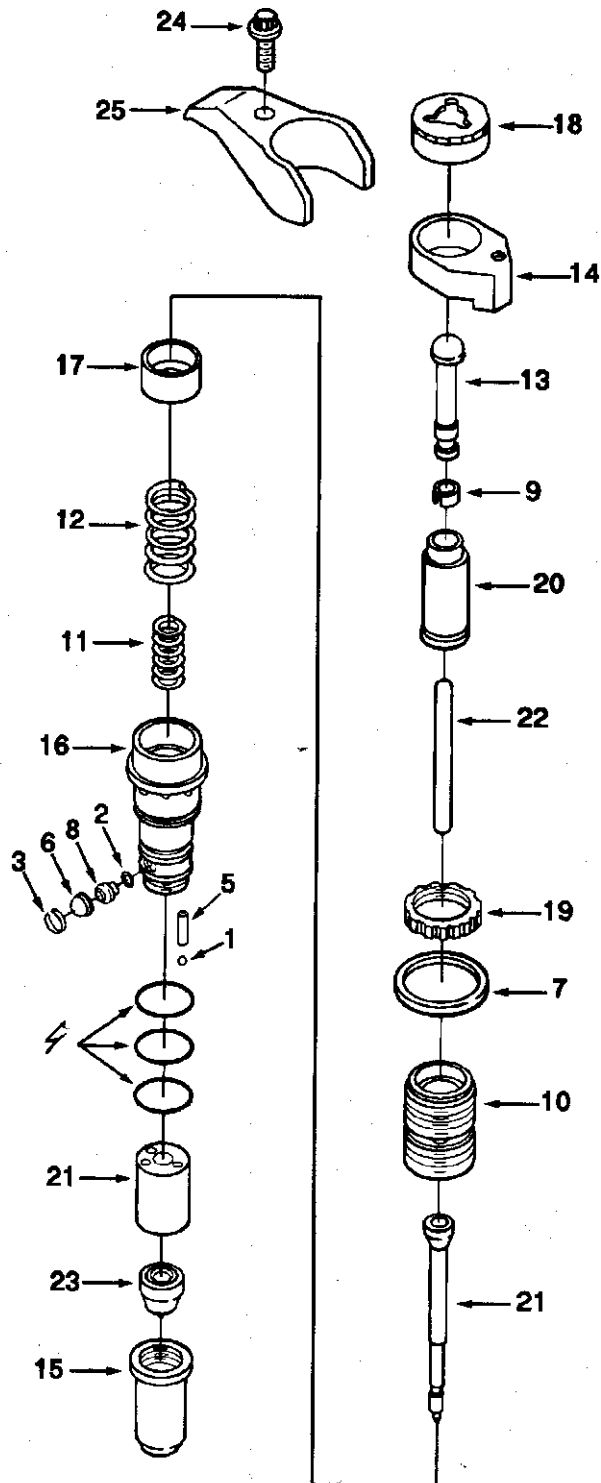
hh100gd

Group No. 02.01

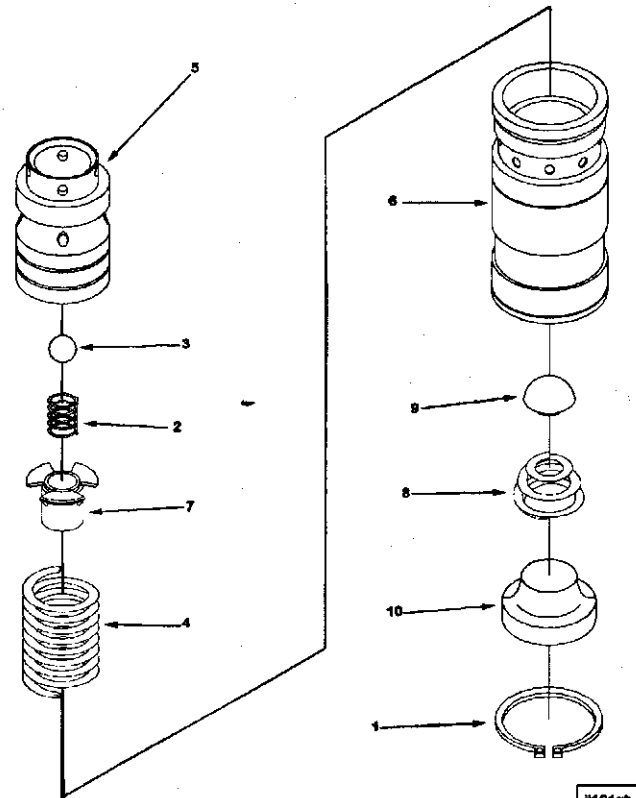
**Cylinder Head**

Option No. PP1921,  
PP2033, PP2038

Ref No.	Part Number	Part Name	Req	Remarks
		<b>CYLINDER HEAD</b>		
		<b>OPTION PP1921</b>		
		<b>OPTION PP2033</b>		
		<b>OPTION PP2038</b>		
1	S 911 B	Plug, Pipe	10	1/8 NPT
2	68445	Pin, Groove	6	
3	70772	Screw, Fillister Head Cap	12	1/4 - 20 x 1/2 inch
4	3087740	Seal, O Ring	12	
5	135308	Plate, Cover	2	
6	147100	Connection, Fuel Crossover	2	
7	3071161	Screw, Hexagon Head Cap	36	11/16 - 16 x 7 1/4 inch
8	3071075	Washer, Plain	36	5/8 inch
	3411814	Head, Cylinder	3	
9	4026228	Retainer, Valve Spring	8	
10	3064281	Seal, Valve Stem	8	
	3803854	Kit, Intake Valve	4	
11	(3084045)	Valve, Intake	4	
12	3072369	Collet, Half Valve	8	
	3803726	Kit, Exhaust Valve	4	
12	3072369	Collet, Half Valve	8	
14	(3069672)	Valve, Exhaust	4	
13	3070460	Spring, Valve	8	
15	3007634	Plug, Expansion	3	
16	3007635	Plug, Expansion	6	1 inch
17	3007759	Seal, O Ring	2	
18	3027106	Dowel, Ring	2	
19	3064312	Guide, Valve Stem Intake	8	
20	3076515	Insert, Valve Intake	4	Blue
21	3070486	Sleeve, Injector	2	
22	(3411779)	Head, Cylinder	1	
23	3084020	Insert, Valve Exhaust	4	
24	3007636	Plug, Expansion	2	32.1 mm
25	4058790	Gasket, Cylinder Head	3	



Ref No.	Part Number	Part Name	Req	Remarks
		<b>INJECTOR</b>		
		<b>OPTION PP1921</b>		
				STC injector and mounting for N14 Industrial. Oil control valve mounted high near the rear of the block.
	3084891	Assembly, Injector	6	Top Stop
1	167157	Ball, Check	1	
2	173086	Gasket, Injector	1	
3	174299	Retainer, Screen	1	
4	193736	Seal, O Ring	3	
5	203426	Pin, Roll	2	
6	3054999	Screen, Filter	1	
7	3041493	Washer, Plain	1	1 1/2 inch
8	(3045047)	Plug, Injector Orifice	1	
9	3052231	Retainer, Injector Link	1	
10	3055742	Screw, Injector Stop	1	
11	3034167	Spring, Compression	1	
12	3023478	Spring, Compression	1	
13	3084896	Link, Injector Plunger	1	
14	3078201	Nut, Tappet Top Stop Lock	1	
15	185138	Retainer, Injector Cup	1	
16	3023934	Adapter, Injector	1	
17	3052218	Retainer, Injector Spring	1	
18	3068859	Cap, Tappet Top Stop	1	
19	3068860	Nut, Lock	1	1 5/16 - 18 UNF.
20	3075383	Tappet, Hyd Var Timing	1	
21	3084892	Barrel & Plunger	1	
	(3084894)	Plunger, Injector	1	
	(3084893)	Barrel, Injector	1	
22	3062009	Link, Injector Plunger	1	
23	3084895	Cup, Injector	1	
		<b>INJECTOR MOUNTING</b>		
24	205278	Screw, Twelve Point Cap	6	3/8 - 16 X 3 Inch.
25	3067992	Clamp, Injector	1	

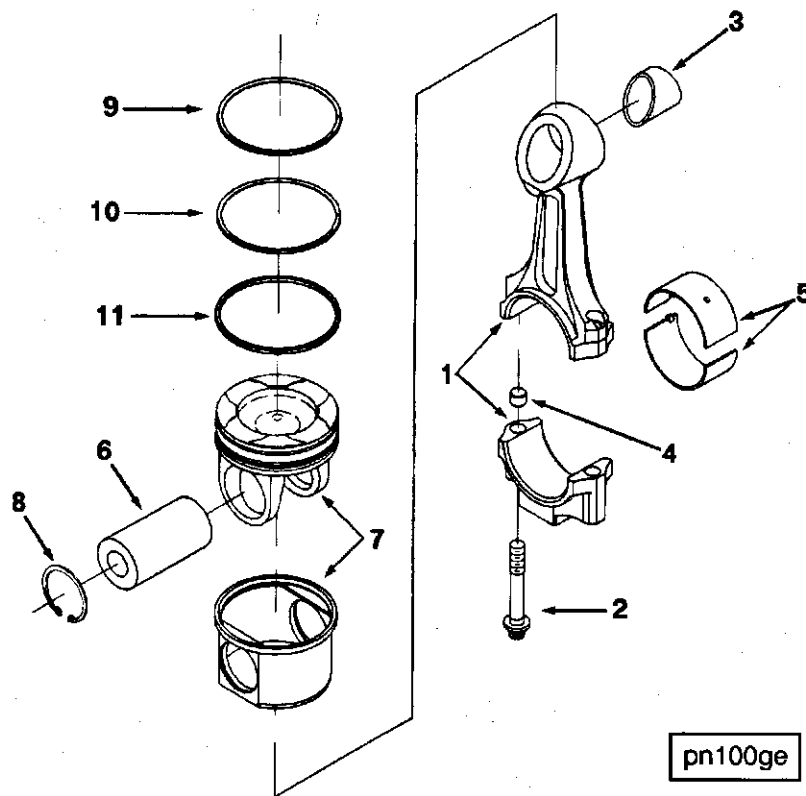


Group No. 06.01.3

Hydraulic Variable Timing Tappet

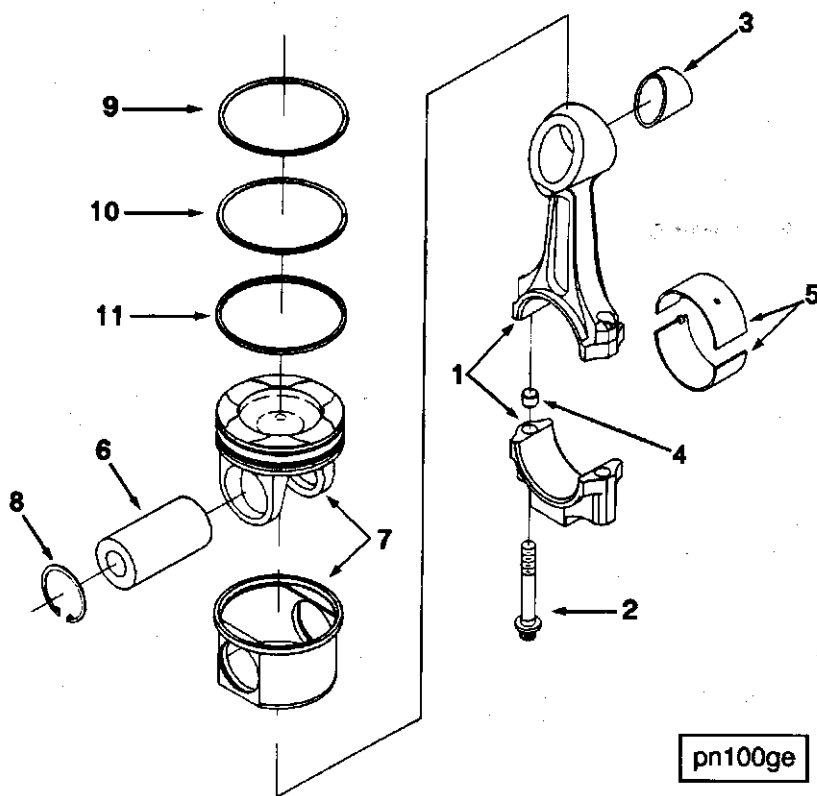
Option No. PP1921,  
PP2033, PP2038

Ref No.	Part Number	Part Name	Req	Remarks
		<b>HYDRAULIC VARIABLE TIMING</b>		
		<b>OPTION PP1921</b>		
		<b>OPTION PP2033</b>		
		<b>OPTION PP2038</b>		
	3075383	Tappet, Hyd Var Timing	1	
1	3027988	Ring, Retaining	1	
2	(3027994)	Spring, Cmpression	6	
3	(3027996)	Ball, Check	1	
4	3054852	Spring, Injector	1	
	(3075393)	Sleeve & Plunger	1	
5	(3066708)	Plunger, Tappet	1	
6	(3075387)	Sleeve, Tappet	1	
7	3076033	Guide, Ball	1	
8	(3085343)	Spring, Injector	1	
9	(3085344)	Guide, Ball	1	
10	(3085345)	Socket, Tappet	1	



Ref No.	Part Number	Part Name	Req	Remarks
		<b>ENGINE PISTON OPTION PP2033</b>		Certified Model Name: N14- 425 timing gear code: lz (.167) CPL: 2033 Certified By: AFC: Yes ASA: No EFC: No ETC: No Manifold Type: Pulse Engine Aspiration: Turbocharged Aftercooled Engine Control System: Centry Application: Nonroad Power Turbine: N/A Design Phase: 94 Product Power Rating: ECM version: Certification Level: Unique Characteristics: Contains HT60 (32 CM2) turbocharger 16.5:1 CR articulated pistons 8 x 14 degree x 220 pph injector cups 201-203mm 3/stroke hmv: 35/30 PSI switch points spur gears swirl head (2.0).
1	3078330	Rod, Engine Connecting	6	
	(3078329)	Rod, Engine Connecting	1	
2	3349806	Screw, Connecting Rod Cap	2	
3	3064295	Bushing	1	
4	219154	Dowel, Ring	2	
5	3055145	Bearing, Connecting Rod	12	
5	3055146	Bearing, Connecting Rod	12	
5	3055147	Bearing, Connecting Rod	12	
5	3055148	Bearing, Connecting Rod	12	
5	3055149	Bearing, Connecting Rod	12	
6	3064304	Pin, Piston	6	
		<b>PISTON</b>		
	3803741	Kit, Engine Piston	6	
7	(3087634)	Top, Piston		
8	3064305	Ring, Retaining	2	
		<b>PISTON RINGS</b>		
	3804500	Set, Piston Ring	6	
9	3064396	Ring, Compression Piston	1	
10	3064397	Ring, Compression Piston	1	
11	3082580	Ring, Oil Piston	1	
		<b>CYLINDER KIT</b>		
	3803742	Kit, Cylinder		
	(3055099)	Liner, Cylinder	1	
	(3087634)	Top, Piston	1	
	(3800275)	Kit, PDC	1	
	3064304	Pin, Piston	1	
	(3800259)	Kit, PDC	1	
	215090	Seal, Rectangular Ring	1	
	3032674	Seal, O Ring	2	
	3064305	Ring, Retaining	2	
	3804500	Set, Piston Ring	1	
	3064396	Ring, Compression Piston	1	



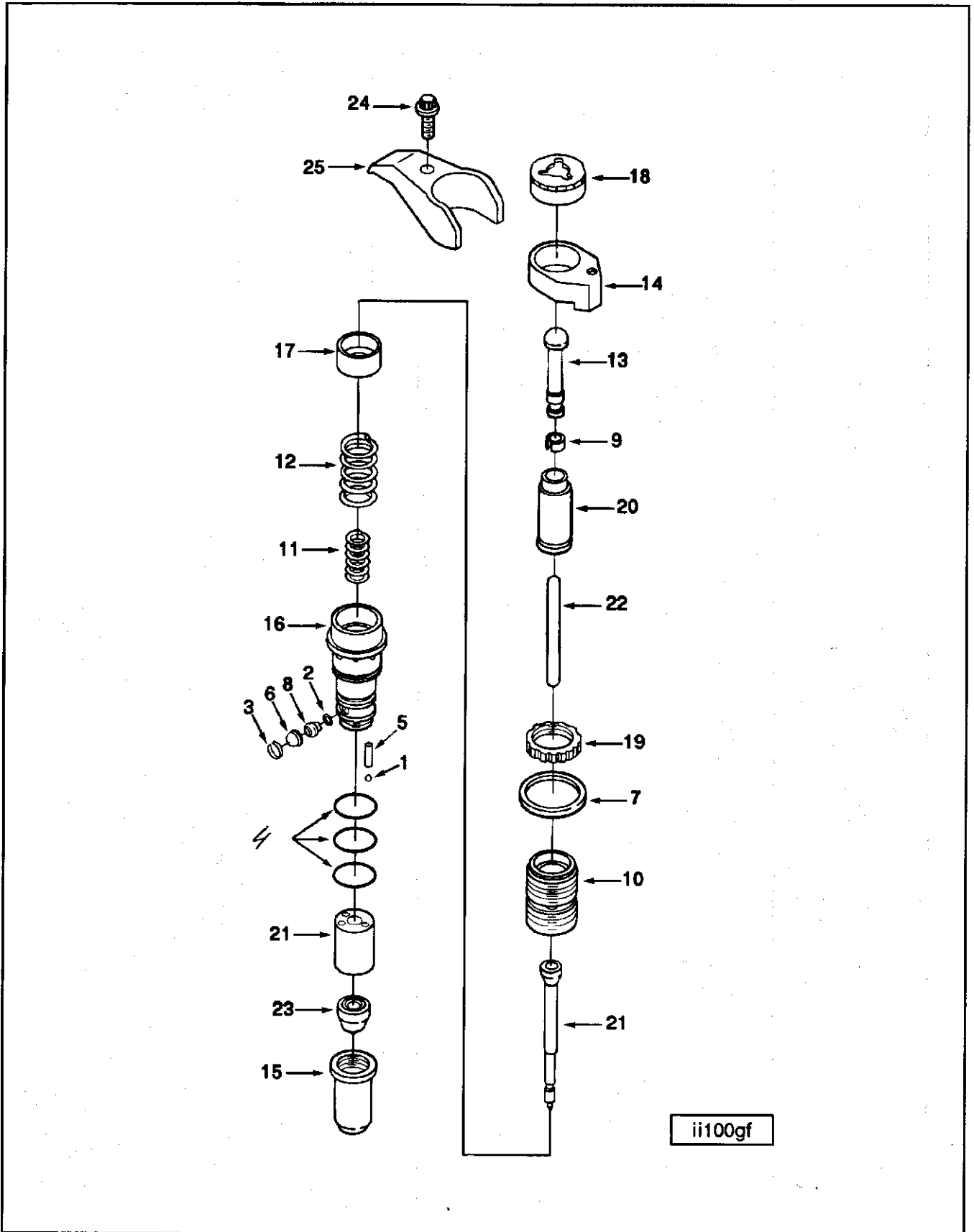


Group No. 01.04

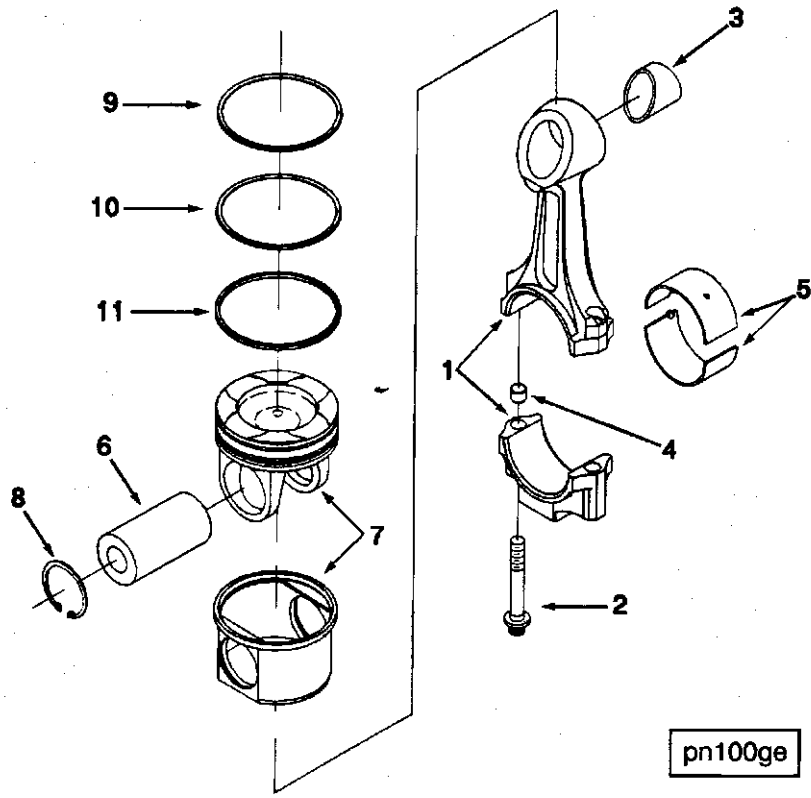
Engine Piston

Option No. PP2033

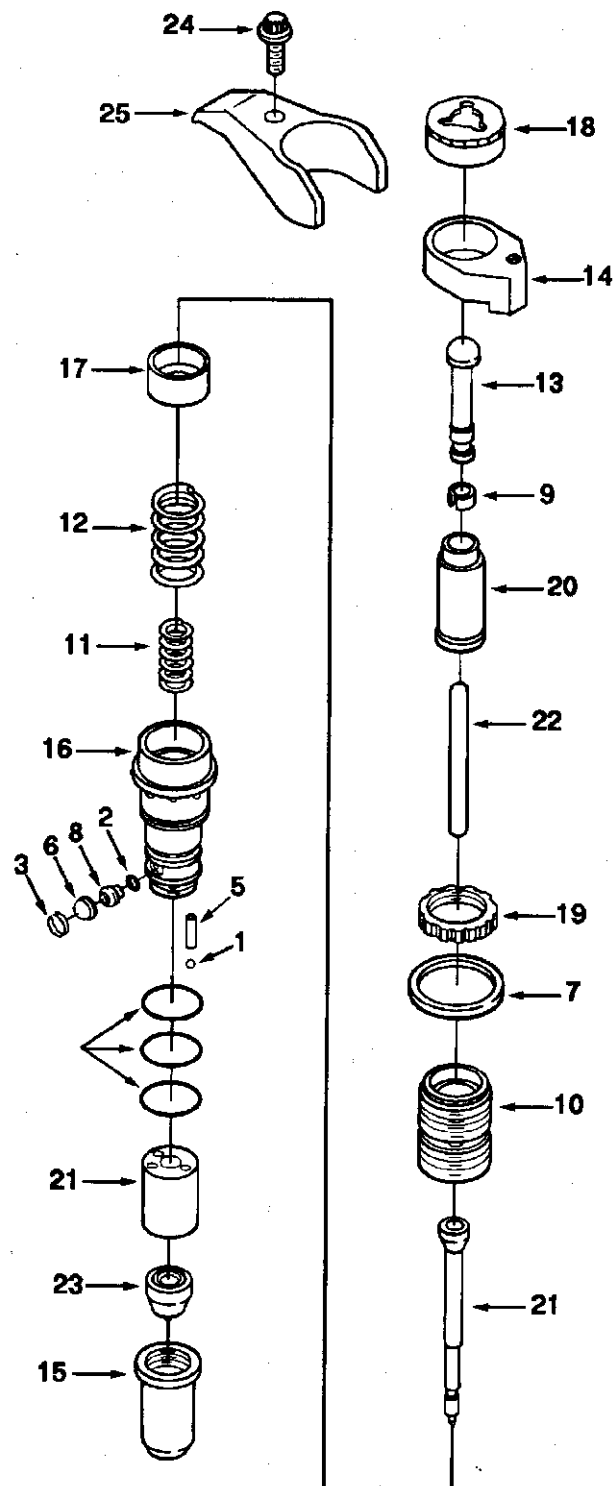
Ref No.	Part Number	Part Name	Req	Remarks
	3064397 3082580	Ring, Compression Piston Ring, Oil Piston	1 1	



Ref No.	Part Number	Part Name	Req	Remarks
		<b>INJECTOR OPTION PP2033</b>		STC injector and mounting for N14 Industrial. CPL 2033. Oil control valve mounted high near rear of block.
	3095023	Assembly, Injector	6	Top Stop
1	167157	Ball, Check	1	
2	173086	Gasket, Injector	1	
3	174299	Retainer, Screen	1	
4	193736	Seal, O Ring	3	
5	203426	Pin, Roll	2	
6	3054999	Screen, Filter	1	
7	3041493	Washer, Plain	1	1 1/2 Inch.
8	(3045047)	Plug, Injector Orifice	1	
9	3052231	Retainer, Injector Link	1	
10	3055742	Screw, Injector Stop	1	
11	3034167	Spring, Compression	1	
12	3023478	Spring, Compression	1	
13	3084896	Link, Injector Plunger	1	
14	3078201	Nut, Tappet Top Stop Lock	1	
15	185138	Retainer, Injector Cup	1	
16	3023934	Adapter, Injector	1	
17	3052218	Retainer, Injector Spring	1	
18	3068859	Cap, Tappet Top Stop	1	
19	3068860	Nut, Lock	1	1 5/16 - 18 UNF.
20	3075383	Tappet, Hyd Var Timing	1	
21	3084892	Barrel & Plunger	1	
	(3084894)	Plunger, Injector	1	
	(3084893)	Barrel, Injector	1	
22	3062009	Link, Injector Plunger	1	
23	3095024	Cup, Injector	1	
		<b>INJECTOR MOUNTING</b>		
24	205278	Screw, Twelve Point Cap	1	3/8 - 16 X 3 Inch.
25	3067992	Clamp, Injector	1	

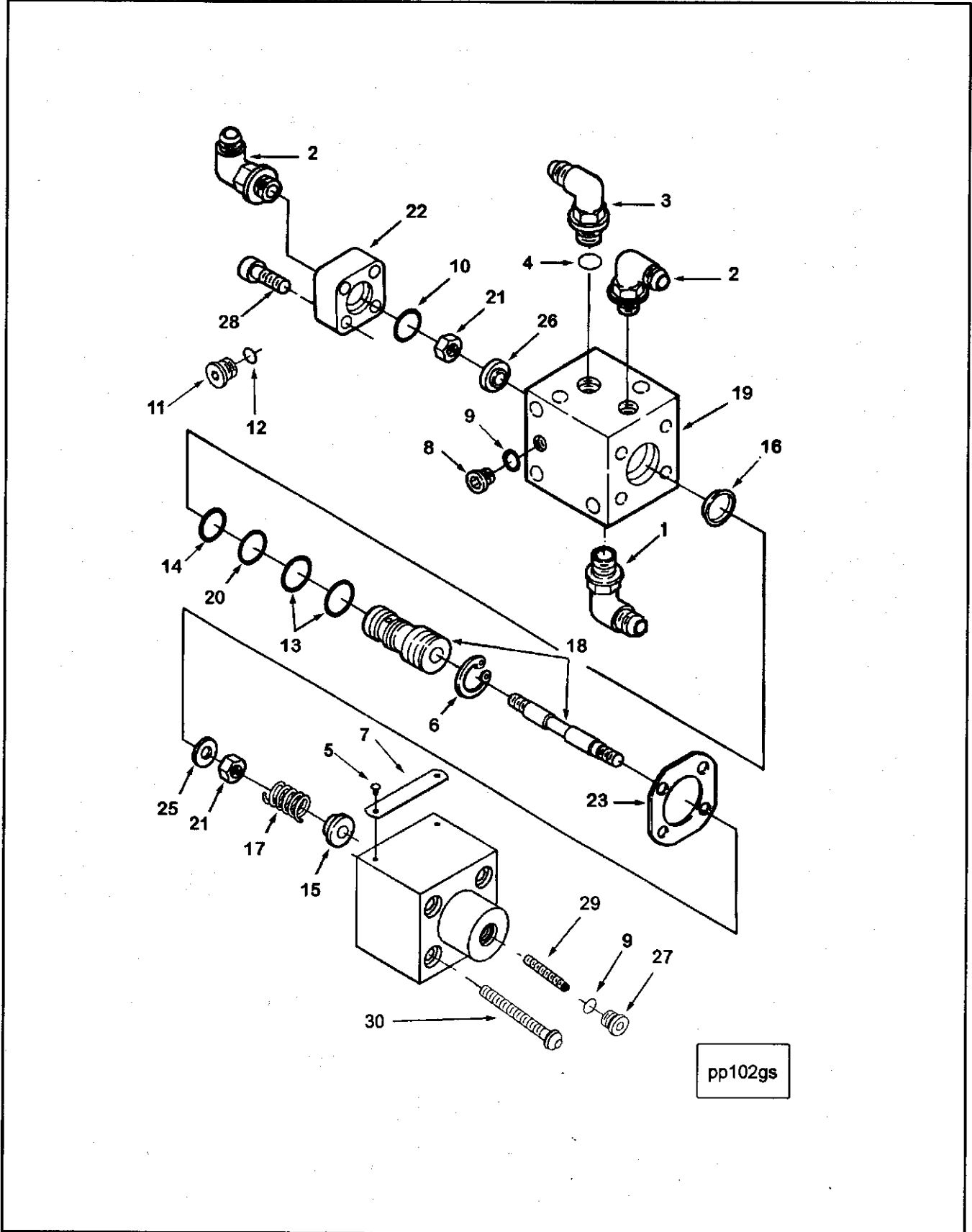


Ref No.	Part Number	Part Name	Req	Remarks
		<b>ENGINE PISTON OPTION PP2038</b>		Certified Model Name: N14-360 Timing gear code: JK (.164). CPL: 2038 Certified By: EPA,CARB,EU AFC: Yes ASA: No EFC: No ETC: No Manifold Type: Pulse Engine Aspiration: Turbocharged And Aftercooled Engine Control System: Centry Application: N/A Power Turbine: N/A Design Phase: 94 Product Power Rating: ECM version: Certification Level:.
1	3078330	Rod, Engine Connecting	6	
	(3078329)	Rod, Engine Connecting	1	
2	3349806	Screw, Connecting Rod Cap	2	
3	3064295	Bushing	1	
4	219154	Dowel, Ring	2	
5	3055145	Bearing, Connecting Rod	12	
5	3055146	Bearing, Connecting Rod	12	
5	3055147	Bearing, Connecting Rod	12	
5	3055148	Bearing, Connecting Rod	12	
5	3055149	Bearing, Connecting Rod	12	
6	3064304	Pin, Piston	6	
		<b>PISTON</b>		
7	3803739	Kit, Engine Piston	6	
	(3087635)	Top, Piston		
8	3064305	Ring, Retaining	2	
		<b>PISTON RINGS</b>		
9	3804500	Set, Piston Ring	6	
	3064396	Ring, Compression Piston	1	
10	3064397	Ring, Compression Piston	1	
11	3082580	Ring, Oil Piston	1	
		<b>CYLINDER KIT</b>		
	3803740	Kit, Cylinder		
	(3055099)	Liner, Cylinder	1	
	(3087635)	Top, Piston		
	3800275	Kit, Piston	1	
	3064304	Pin, Piston	1	
	3800259	Kit, PDC	1	
	215090	Seal, Rectangular Ring	1	
	3032874	Seal, O Ring	2	
	3064305	Ring, Retaining	2	
	3804500	Set, Piston Ring	1	
	3064396	Ring, Compression Piston	1	
	3064397	Ring, Compression Piston	1	
	3082580	Ring, Oil Piston	1	



Ref No.	Part Number	Part Name	Req	Remarks
		<b>INJECTOR OPTION PP2038</b>		STC injector and mounting for N14 Industrial. CPL 2038. Oil control valve mounted high near rear of block.
	3095055	Assembly, Injector	6	Top Stop
1	167157	Ball, Check	1	
2	173086	Gasket, Injector	1	
3	174299	Retainer, Screen	1	
4	193736	Seal, O Ring	3	
5	203426	Pin, Roll	2	
6	3054999	Screen, Filter	1	
7	3041493	Washer, Plain	1	1 1/2 inch
8	(3045047)	Plug, Injector Orifice	1	
9	3052231	Retainer, Injector Link	1	
10	3055742	Screw, Injector Stop	1	
11	3034167	Spring, Compression	1	
12	3023478	Spring, Compression	1	
13	3084896	Link, Injector Plunger	1	
14	3078201	Nut, Tappet Top Stop Lock	1	
15	185138	Retainer, Injector Cup	1	
16	3023934	Adapter, Injector	1	
17	3052218	Retainer, Injector Spring	1	
18	3068859	Cap, Tappet Top Stop	1	
19	3068860	Nut, Lock	1	1 5/16 - 18 UNF.
20	3075383	Tappet, Hyd Var Timing	1	
21	3084892	Barrel & Plunger	1	
	(3084894)	Plunger, Injector	1	
	(3084893)	Barrel, Injector	1	
22	3062009	Link, Injector Plunger	1	
23	3095024	Cup, Injector	1	
		<b>INJECTOR MOUNTING</b>		
24	205278	Screw, Twelve Point Cap	1	3/8 - 16 X 3 Inch.
25	3067992	Clamp, Injector	1	





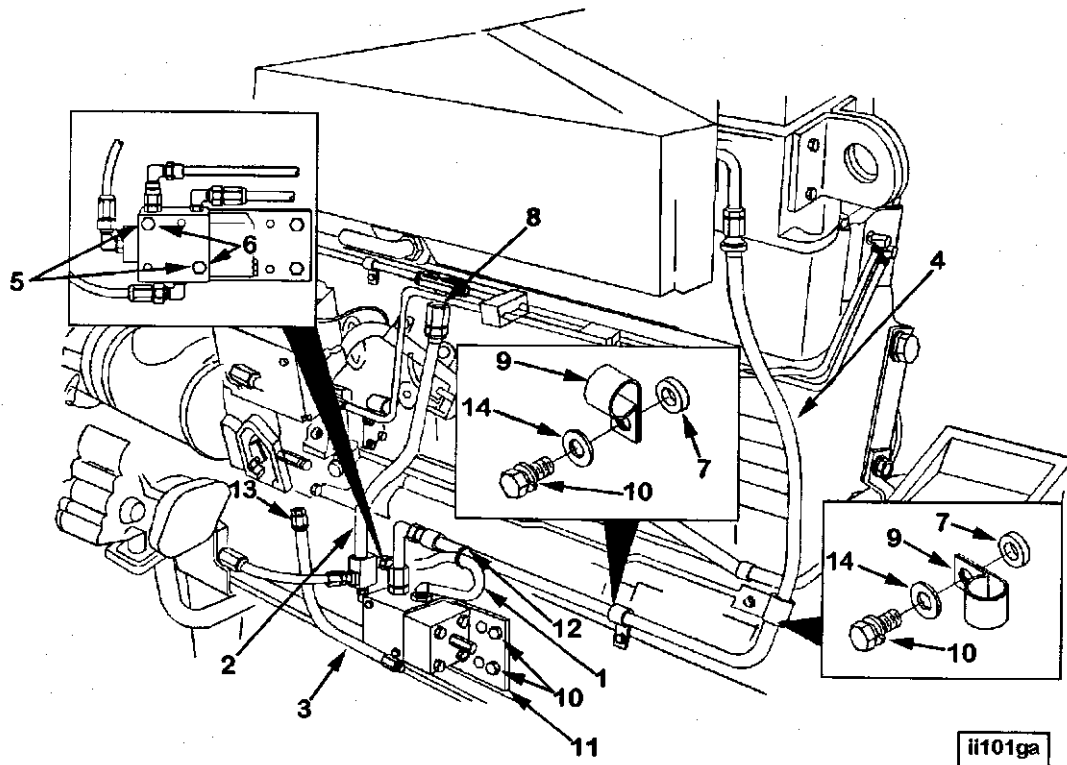
pp102gs

Group No. 06.01.1

## Oil Control Valve

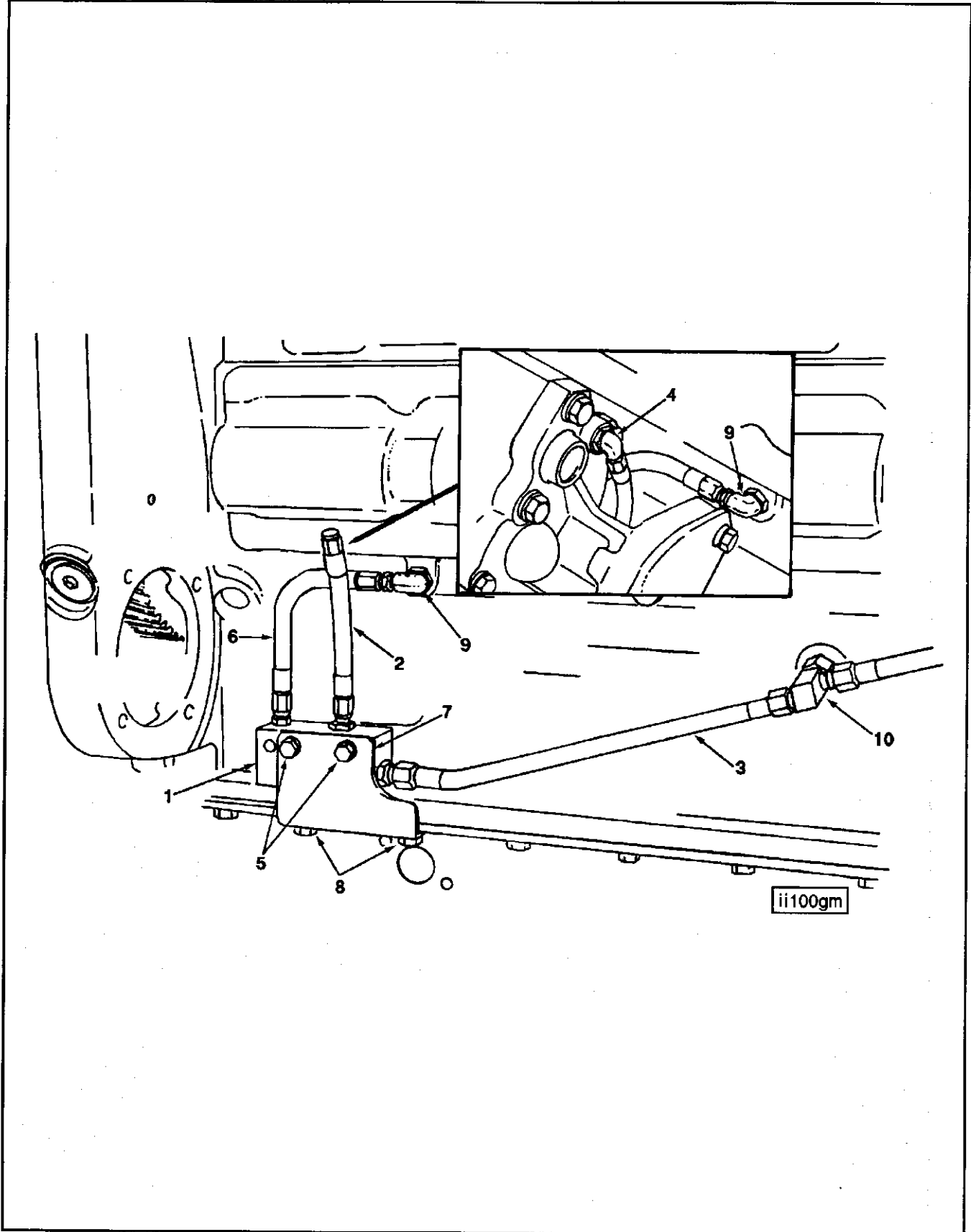
Option No. PP10072

Ref No.	Part Number	Part Name	Req	Remarks
		<b>OIL CONTROL VALVE OPTION PP10072</b>		
1	203848	Elbow, Male Union	1	
2	3037662	Elbow, Male Union	2	
3	3061833	Union, Male	1	
4	3046201	Seal, O Ring	1	
	3076332	Valve, Oil Control	1	
5	S 2286	Screw, Drive	2	3/16 inch
6	S 16240	Ring, Retaining	1	
7	105375	Nameplate	1	
8	3033742	Plug, Threaded	1	
9	(3034412)	Seal, O Ring	1	
10	3034408	Seal, O Ring	1	
11	3040814	Plug, Threaded	1	7/16 - 20 UNF
12	3036666	Seal, O Ring	1	
13	3042542	Seal, O Ring	2	
14	3045986	Seal, O Ring	1	
15	3049041	Retainer, Spring	1	
16	3054411	Spring, Leaf	1	
17	3056072	Spring, Compression	1	
18	3060605	Barrel And Plunger	1	
19	3060606	Body, Valve	1	
20	3066914	Seal, O Ring	1	
21	3069015	Nut, Lock	2	1/4 - 28 UNF.
22	3069989	Cover, Oil Control Valve	1	
23	3070108	Gasket, Control Valve Body	1	
24	4009927	Cover, Diaphragm	1	
25	3070186	Washer, Plain	1	1/4 Inch.
26	3073998	Disc, Valve	1	
	3417076	Plug, Threaded	1	
9	3034412	Seal, O Ring	1	
27	3417103	Plug, Threaded	1	
28	3417077	Screw, Socket Head Cap	4	
29	3417096	Screw, Socket Set	1	
30	3417098	Screw, Socket Head Cap	1	



ii101ga

Ref No.	Part Number	Part Name	Req	Remarks
<b>OIL CONTROL VALVE MOUNTING</b>				
<b>OPTION PP10072</b>				
1	AK 4014 SS	Hose, Flexible	1	
2	AK 4021 SS	Hose, Flexible	1	
3	AK10012 SS	Hose, Flexible	1	
4	(AK 8039 SL)	Hose, Flexible	1	
5	S 155 A	Screw, Hexagon Head Cap	2	5/16 - 18 x 2 3/4 inch
6	S 626	Washer, Plain	2	5/16 inch
7	60724	Spacer, Mounting	2	
8	68138	Connector, Male	1	
9	69911 A	Clip	2	
10	3010592	Screw, Captive Washer Cap	4	3/8 - 24 x 7/8 inch
11	3055042	Bracket, Valve	1	
12	3076301	Clamp, Wire Tie	1	
13	3896027	Valve, Check	1	
14	S 602	Washer, Plain	2	

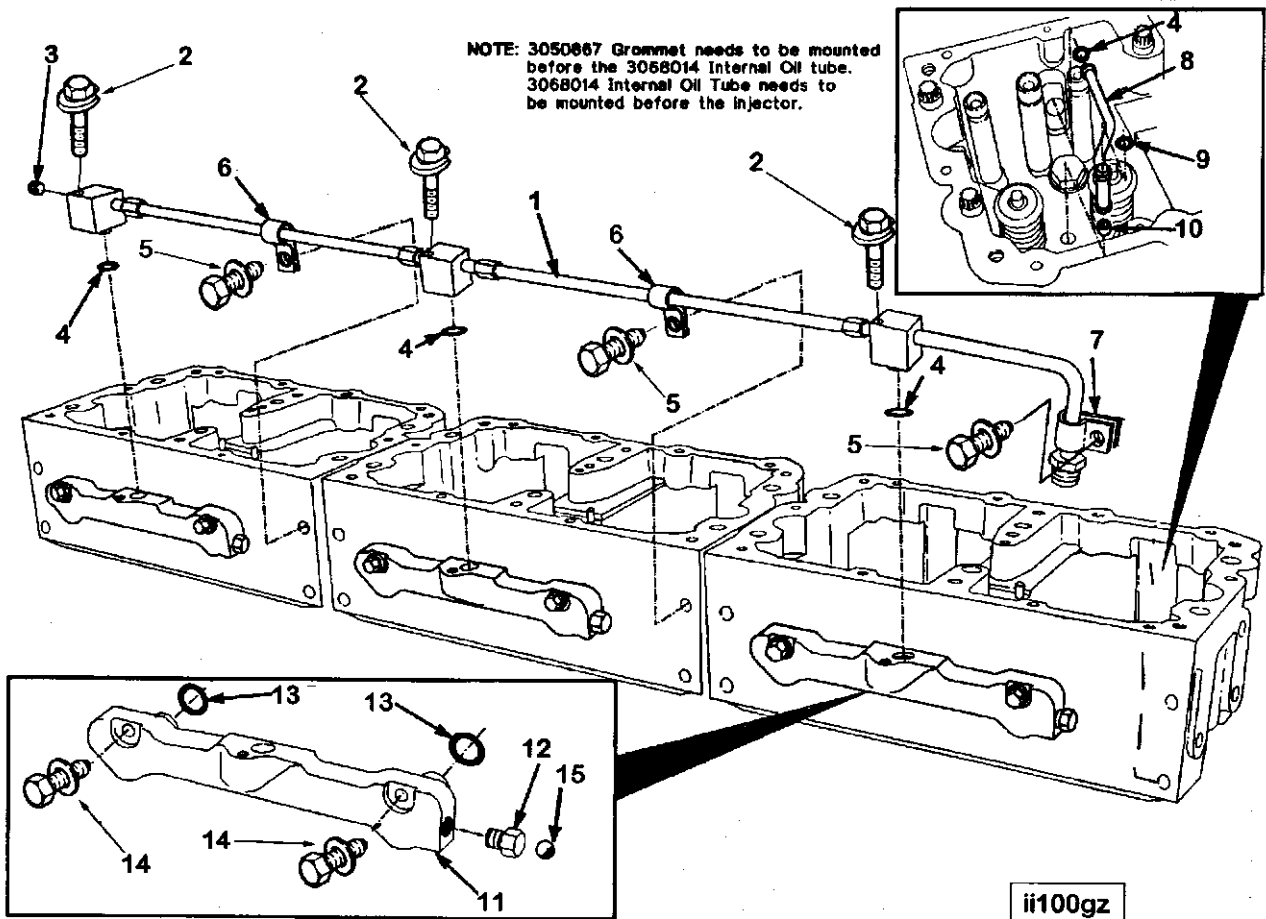


Group No. 06.01.4

**Viscosity Sensor**

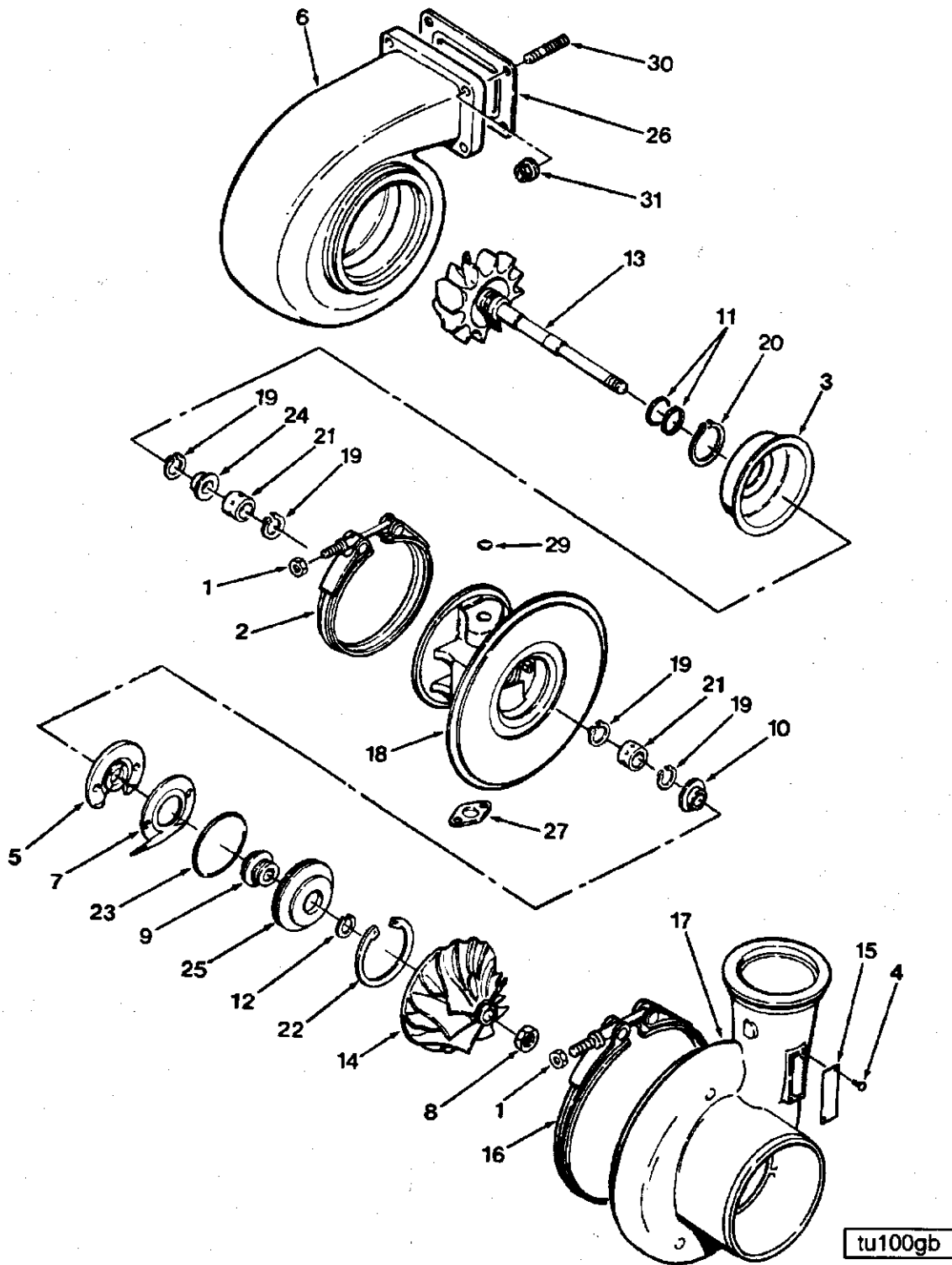
Option No. PP10072

Ref No.	Part Number	Part Name	Req	Remarks
<b>VISCOSITY SENSOR</b> <b>OPTION PP10072</b>				
1	3066463	Sensor, Viscosity	1	
2	AK 4005 60SS	Hose, Flexible	1	
3	AK 6013 20SS	Hose, Flexible	1	
4	3037662	Elbow, Male Union	1	
5	3052675	Screw, Captive Washer Cap	2	5/16 - 18 x 15/16 inch
6	3065134	Hose, Flexible	1	
7	3065135	Bracket, Valve	1	
8	3065177	Screw, Captive Washer Cap	2	7/16 - 20 x 1 3/8 inch
9	3067503	Elbow, Male Union	1	
10	3069112	Tee, Male Union	1	

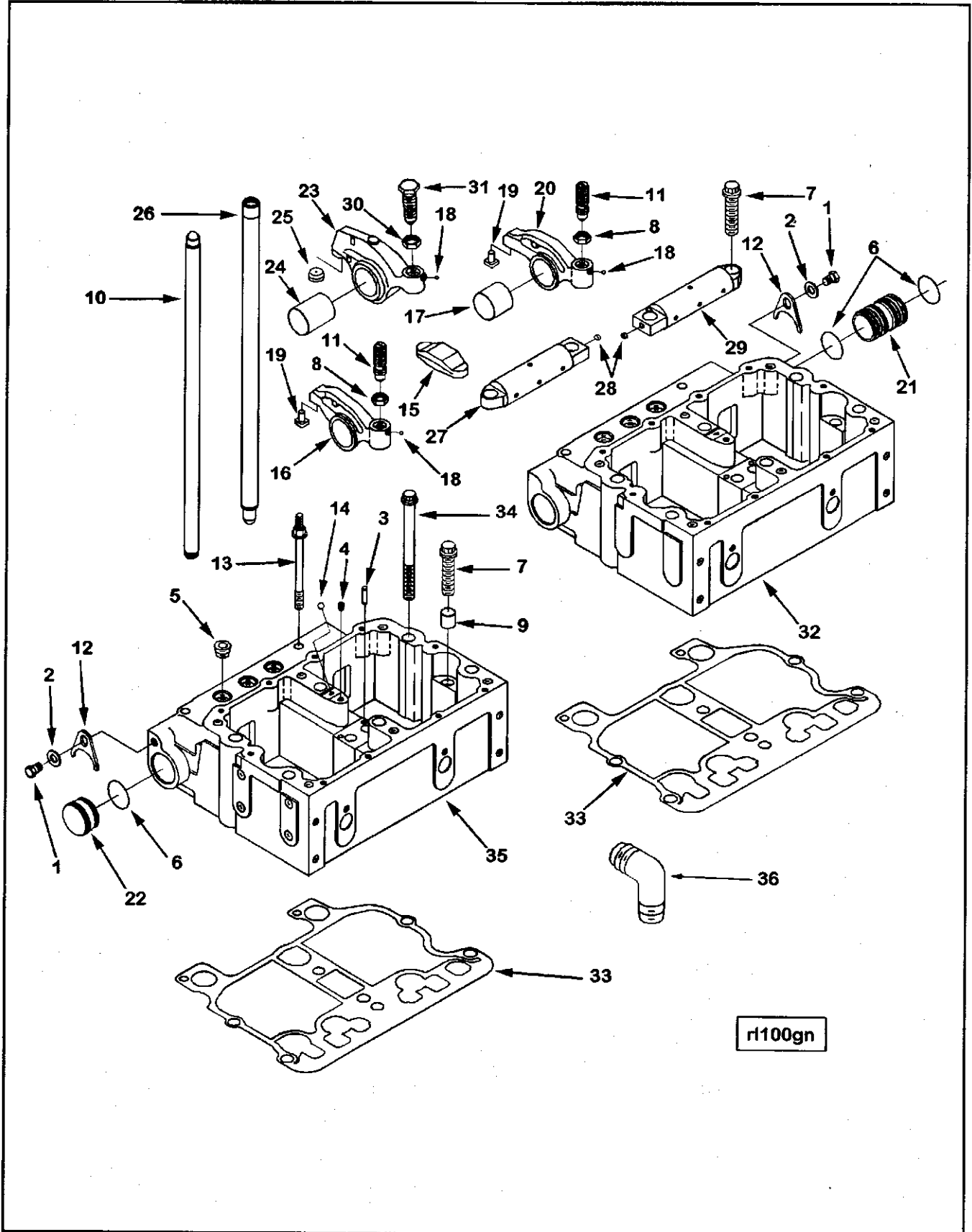


Ref No.	Part Number	Part Name	Req	Remarks
		<b>OIL MANIFOLD OPTION PP10072</b>		STC Injector Plumbing for N14 industrial engines. Oil control valve mounted low near center of block just above pan rail.
1	3067944	Manifold, External Oil	1	
2	3019572	Screw, Captive Washer Cap	3	
3	3008465	Plug, Pipe	1	1/8 NPT
4	3001340	Seal, O Ring	3	
5	3071225	Screw, Captive Washer Cap	3	3/8 - 16 X 3/4 inch.
6	68425	Clip	2	
7	68152	Clip	1	
		<b>OIL TUBE PLUMBING</b>		
4	3001340	Seal, O Ring	6	
8	3068014	Tube, Var Timing Supply		
9	3052587	Seal, O Ring	6	
10	3050867	Seal, Grommet	6	
		<b>OIL MANIFOLD CONNECTOR</b>		
11	3071222 (3070513)	Connector, Oil Manifold	1	
12	3040814	Plug, Threaded	1	7/16 - 20 UNF
	3036666	Seal, O Ring	1	
13	3909397	Seal, O Ring	6	
14	3074387	Screw, Captive Washer Cap	6	5/16 - 24 x 1 1/4 inch.
15	3066837	Plug, Ball	1	



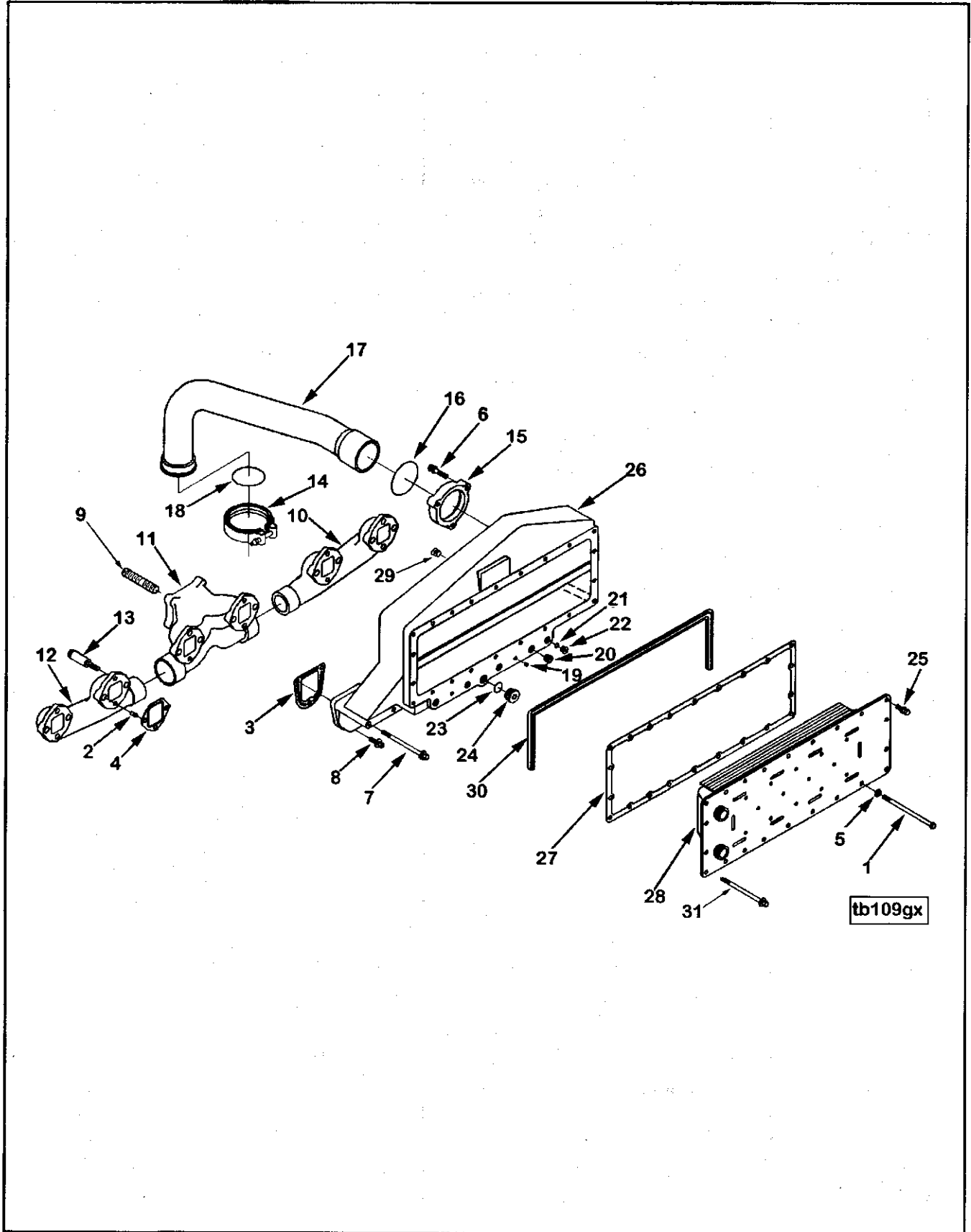


Ref No.	Part Number	Part Name	Req	Remarks
		<b>TURBOCHARGER OPTION PP10087</b>		HT60-N0881A/H32K1 Turbo for use on Industrial N14 engines between 360 BHP and 425 BHP. Non-watercooled bearing housing. CPL:2033
	3804566	Kit, Turbocharger	1	
	(3536804)	Assembly, Turbocharger	1	
1	3529372	Nut, Regular Hexagon	2	1/4 - 28 UNF
2	(3539458)	Clamp, V Band	1	
3	3519155	Shield, Turbocharger Heat	1	
4	3519163	Screw, Drive	4	
5	3536075	Bearing, Tur Thrust	1	
6	(3537000)	Housing, Turbine	1	
7	3529658	Baffle, Oil	1	
8	3519471	Nut, Lock	1	7/16 - 20 UNF
9	3521439	Slinger, Oil	1	
10	3521440	Collar, Thrust	1	
11	3521441	Seal, Split Ring	2	
12	3521442	Seal, Split Ring	1	
13	3594952	Shaft & Wheel	1	
14	3527047	Impeller, Tur Compressor	1	
15	(3527907)	Dataplate	1	
16	3532045	Clamp, V Band	1	
17	(3536324)	Turbocharger		
18	(3536096)	Housing, Tur Bearing	1	
19	3709510	Ring, Retaining	4	
20	3718373	Ring, Retaining	1	
21	3722366	Bearing, Turbocharger	2	
22	3723863	Ring, Retaining	1	
23	3751948	Seal, O Ring	1	
24	3757753	Sleeve, Oil Control	1	
25	3759618	Plate, Oil Seal	1	
		<b>MOUNTING PARTS</b>		
26	3069177	Gasket, Turbocharger	1	
27	3202117	Gasket, Connection	1	
29	3037537	Seal, O Ring	1	
30	3056155	Stud	4	
31	3056158	Nut, Hexagon Flange	4	3/8 - 24 UNF.

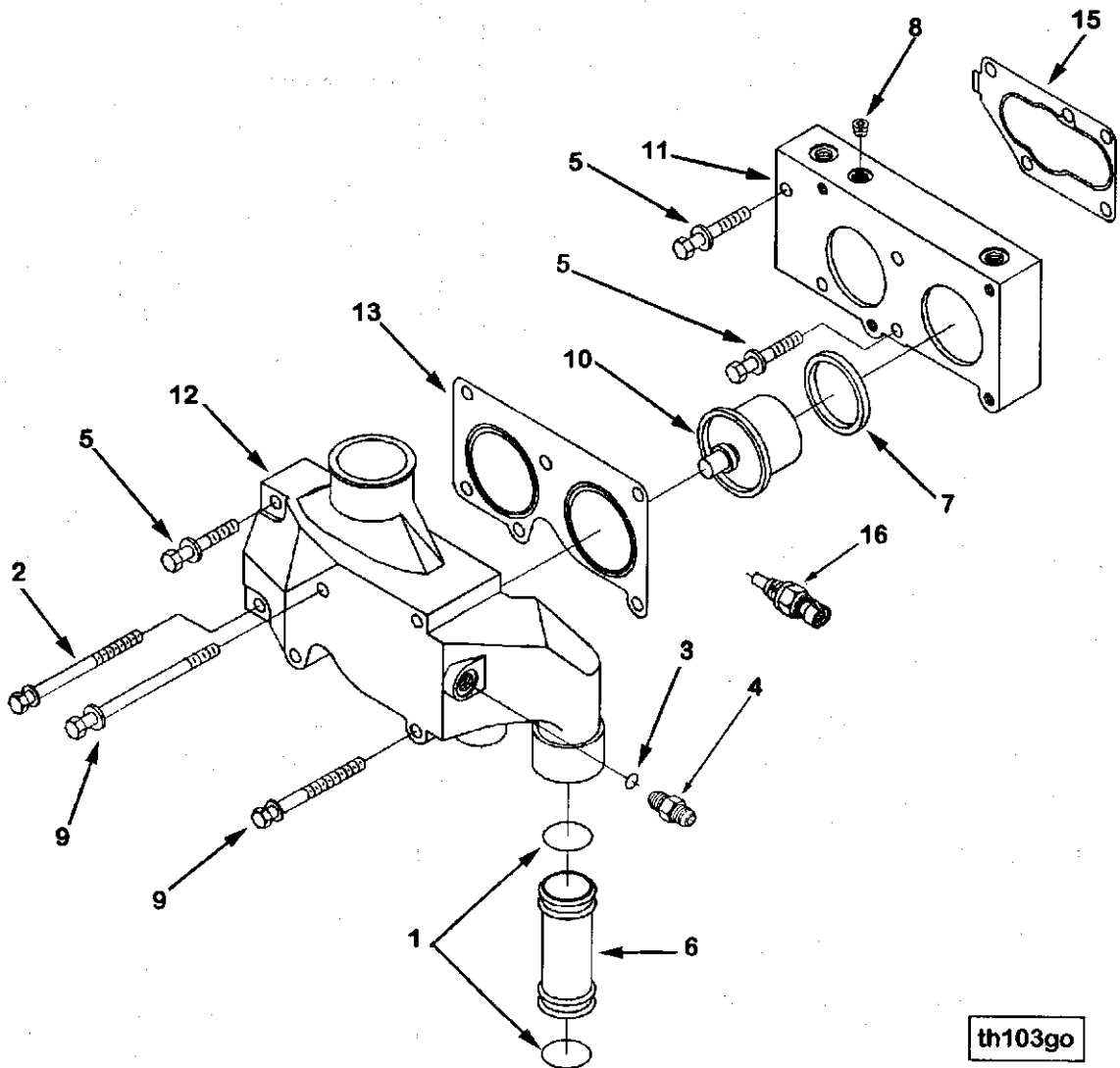


r1100gn

Ref No.	Part Number	Part Name	Req	Remarks
		<b>ROCKER LEVER OPTION RL1720</b>		Rocker lever housings and mounting, valve crossheads and push tubes for use without engine brake. Includes inserted valve rocker levers. 1.3 RR cast lever for N14. Contains water manifold plumbing to suit aftercooler return line to rear of engine, for use with dual thermostat.
1	S 117	Screw, Hexagon Head Cap	3	3/8 - 16 X 3/4 Inch.
2	S 602	Washer, Plain	3	3/8 Inch.
3	148555	Dowel, Pin	6	
4	3008464	Plug, Pipe	3	1/16 NPT
5	3008468	Plug, Pipe	8	1/2 NPT
6	3050667	Seal, O Ring	5	
7	3064320	Screw, Twelve Point Cap	12	9/16 - 12 x 2 1/4 inch
8	3066257	Nut, Regular Hexagon Jam	12	9/16 - 18 UNF
9	3066270	Dowel, Ring	6	
10	3066291	Rod, Push	12	
11	3066644	Screw, Slotted Set	12	
12	3067950	Plug, Retainer	3	
13	3067952	Screw, Hexagon Head Cap	6	3/8 - 16 x 4 1/4 inch
14	3069637	Plug, Ball	3	
15	3069689	Crosshead, Valve	12	
16	(3070465)	Lever, Rocker	6	
17	3058462	Bushing	1	
18	3067941	Plug, Ball	1	
	(3070463)	Lever, Rocker	1	
19	(3070982)	Insert, Rocker Lever	1	
20	(3070466)	Lever, Rocker	6	
17	3058462	Bushing	1	
18	3067941	Plug, Ball	1	
	(3070464)	Lever, Rocker	1	
19	(3070982)	Insert, Rocker Lever	1	
21	3071228	Tube, Water Transfer	2	
22	3071229	Plug, O Ring	1	
23	(3073494)	Lever, Rocker	6	
24	3064267	Bushing	1	
25	3064621	Socket, Tappet	1	
18	3067941	Plug, Ball	1	
	(3073303)	Lever, Rocker	1	
26	3073499	Rod, Push	6	
27	3074376	Shaft, Rocker Lever	3	
28	203933	Plug, Expansion	1	
	(3074373)	Shaft, Rocker Lever	1	
29	3074375	Shaft, Rocker Lever	3	
28	203933	Plug, Expansion	1	
	(3074374)	Shaft, Rocker Lever	1	
30	3074975	Nut, Regular Hexagon Jam	6	
31	3075318	Screw, Hexagon Head Set	6	
32	(3076221)	Housing, Rocker Lever	2	
33	3076292	Gasket, Rkr Lever Housing	3	
34	3081151	Screw, Twelve Point Cap	18	
35	3865125	Housing, Rocker Lever	1	Use on front for thermostat housing connection.
36	102584	Elbow, Male Adapter	1	



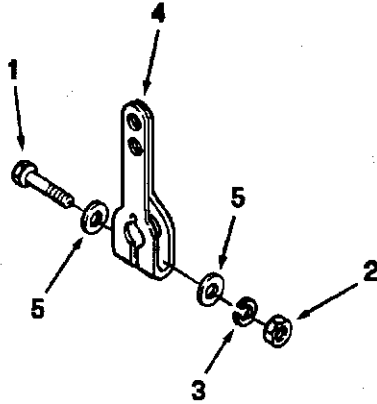
Ref No.	Part Number	Part Name	Req	Remarks
		<b>TURBOCHARGER ARRANGEMENT OPTION TB1322</b>		N14 Industrial intake manifold and aftercooler core . Turbocharger centerline location: 17.72 in. vertical, 14.14 in. horizontal. Rear facing turbine outline. Used with rear mounted aftercooler plumbing.
1	69102	Screw, Hexagon Head Cap	4	3/8 - 16 X 7 Inch.
2	105199	Pin, Groove	6	
3	3008591	Gasket, Intake Manifold	3	
4	3020943	Gasket, Exhaust Manifold	6	
5	3036460	Washer, Spring	4	
6	3044413	Screw, Captive Washer Cap	2	3/8 - 16 x 2 Inch
7	3049301	Screw, Captive Washer Cap	2	3/8 - 16 x 6 Inch
8	3051427	Screw, Captive Washer Cap	3	3/8 - 16 x 1 5/16 Inch
9	3056155	Stud	4	
10	3062568	Manifold, Exhaust	1	
11	3065022	Manifold, Exhaust	1	
12	3065024	Manifold, Exhaust	1	
13	3067930	Screw & Spacer	6	
14	3067979	Clamp, V Band	1	
15	3084603	Retainer, Seal	1	
16	3084848	Seal, O Ring	1	
17	3097000	Tube, Air Crossover	1	
18	3095826	Seal, O Ring	1	
	3097279	Aftercooler Assembly	1	
19	3008465	Plug, Pipe	2	1/8 NPT
20	3025458	Plug, Pipe	2	
	3037536	Plug, Threaded	3	9/16 - 18 UNF
21	3037537	Seal, O Ring	1	
22	(3040813)	Plug, Threaded	1	
	3040818	Plug, Threaded	1	1 3/16 - 12 un.
23	3035228	Seal, O Ring	1	
24	(3040819)	Plug, Threaded	1	
25	3040838	Screw, Captive Washer Cap	16	3/8 - 16 x 1 1/4 Inch
26	3097278	Manifold, Air Intake	1	
27	3084382	Gasket, Aftercooler Cover	1	
28	3084383	Core, Aftercooler	1	
29	3008466	Plug, Pipe	1	1/4 NPT.
30	3627381	Seal, Rectangular Strip	1	
31	3865178	Screw, Captive Washer Cap	2	



th103go

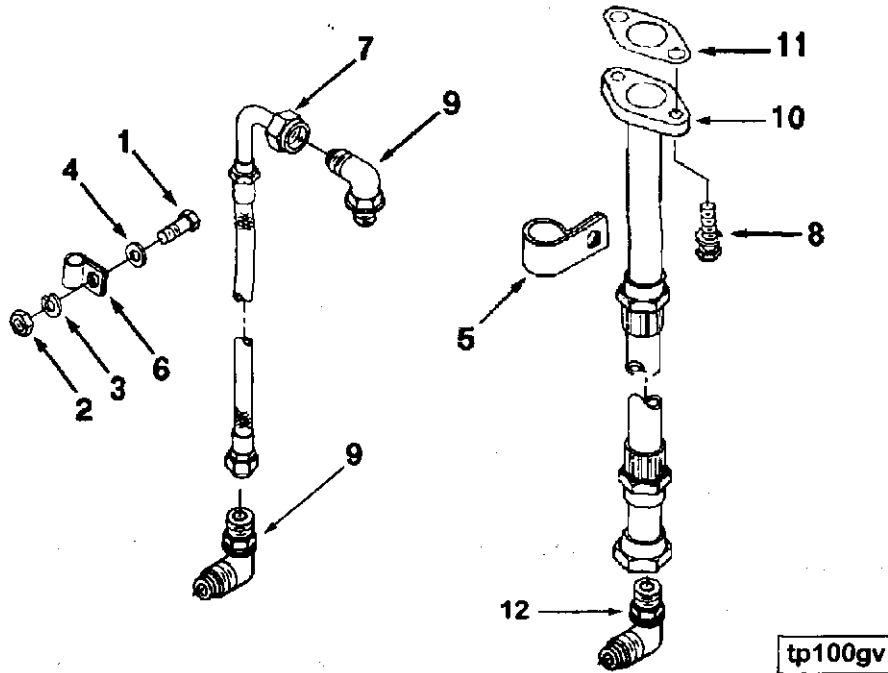
Ref No.	Part Number	Part Name	Req	Remarks
		<b>THERMOSTAT HOUSING OPTION TH1117</b>		Dual thermostat housing and mounting to water pump for industrial N14-STC and select JWAC engines without automatic transmissions. Water outlet O.D. is 2.50 inches and is oriented straight up. The outlet is located 31 inches up and 8 inches outboard from the crankshaft centerline and 4 inches back from the front face of the block.
1	43463 A	Seal, O Ring	2	
2	3040836	Screw, Captive Washer Cap	1	
	3042619	Nipple, Coupling	1	
3	3037537	Seal, O Ring	1	
4	(3042620)	Nipple, Coupling	1	
5	3068533	Screw, Captive Washer Cap	3	3/8 - 16 X 2 1/2 Inch.
6	3076491	Tube, Water Transfer	1	
	(3865175)	Housing, Thermostat TLA	1	
7	186780	Seal, Thermostat	2	
8	3008466	Plug, Pipe	1	1/4 NPT
9	3042890	Screw, Captive Washer Cap	3	3/8 - 16 X 4 Inch.
10	3411335	Thermostat	1	
11	3865122	Housing, Thermostat	1	
12	3865172	Cover, Thm Housing	1	
13	3865236	Gasket, Thm Housing Cover	1	
14	3865178	Screw, Captive Washer Cap	1	
15	3865195	Gasket, Thermostat Hsg	1	
16	3865312	Sensor, Temperature	1	





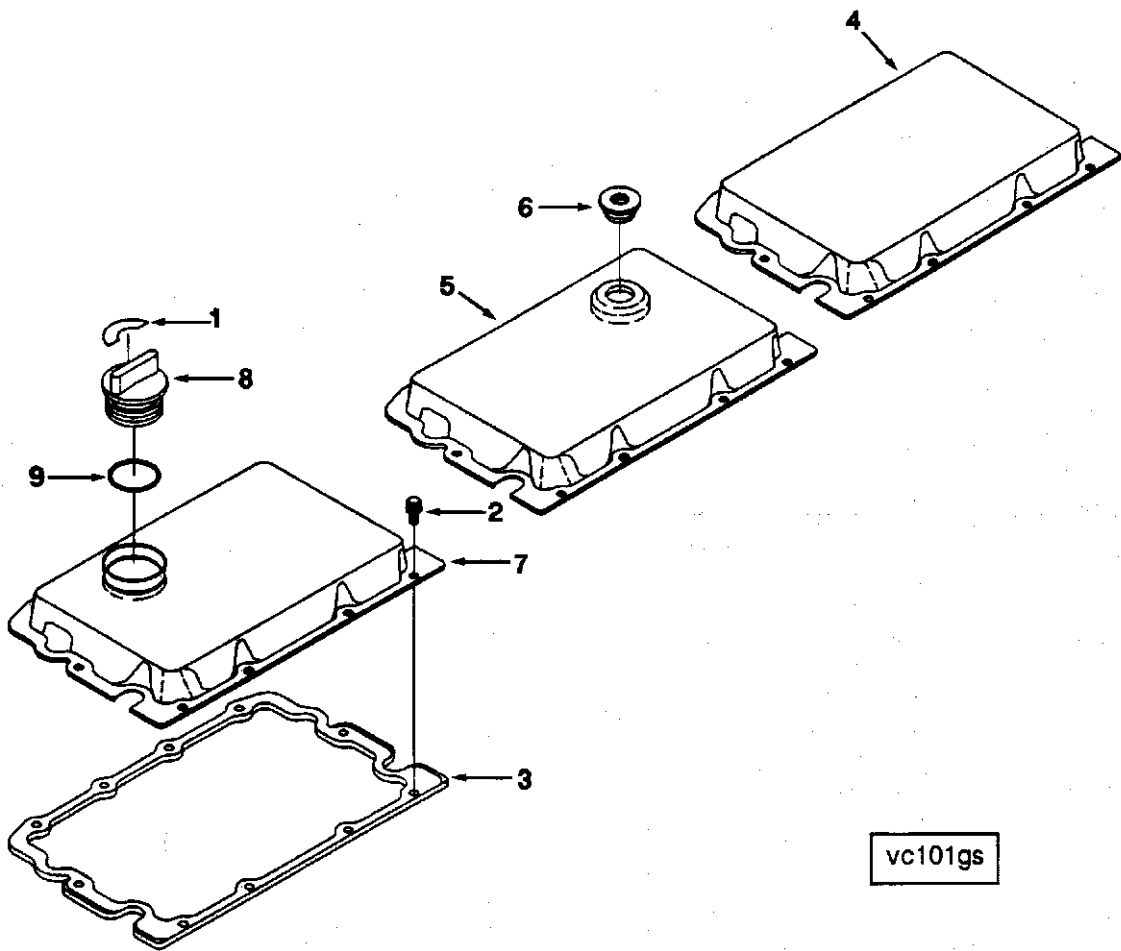
tl100gd

Ref No.	Part Number	Part Name	Req	Remarks
		<b>THROTTLE LEVER OPTION TL1043</b>		Two hole rigid type lever .34 inch diameter with 4.00 and 5.00 centers. Used with variable speed type fuel pump.
1	S 159 B	Screw, Hexagon Head Cap	1	1/4 - 28 x 1 1/2 Inch
2	S 270	Nut, Regular Hexagon	1	1/4 - 28 UNF
3	S 600	Washer, Lock	1	1/4 Inch
4	110481	Lever, Throttle	1	
5	70704	Washer, Plain	2	1/4 Inch



tp100gv

Ref No.	Part Number	Part Name	Req	Remarks
<b>TURBOCHARGER PLUMBING OPTION TP1719</b>				
				Turbocharger oil supply and drain plumbing for front out exhaust. Drain tube routes from turbo to rear, 1 3/16 hole in block. Supply is taken from tube oil cooler.
1	S 115	Screw, Hexagon Head Cap	1	5/16 - 18 x 7/8 Inch
2	S 221	Nut, Heavy Hexagon	1	5/16 - 18 UNC
3	S 605	Washer, Lock	1	5/16 Inch
4	S 626	Washer, Plain	2	5/16 Inch
5	69465	Clip	1	
6	108722	Clip	1	
7	209955	Hose, Flexible	1	
8	3010596	Screw, Captive Washer Cap	2	3/8 - 16 x 1 1/4 inch
9	3037535	Elbow, Male Union	2	
10	3076164	Connection, Tur Oil Drain	1	
11	3202117	Gasket, Connection	1	
12	3067996	Union, Male	1	



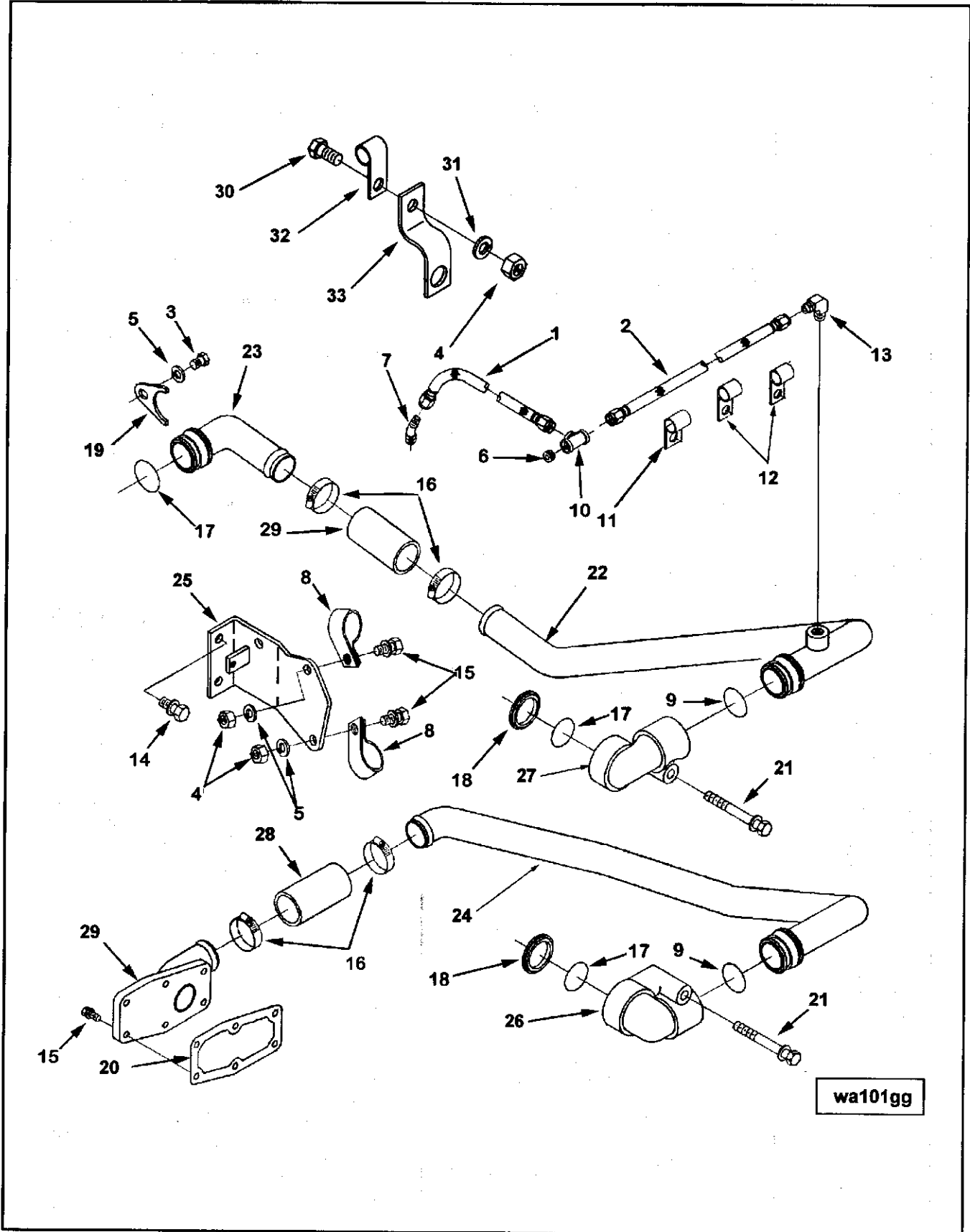
vc101gs

Group No. 03.01.1

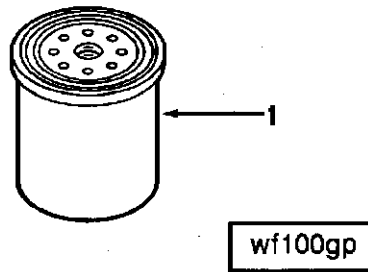
Valve Cover

Option No. VC1038

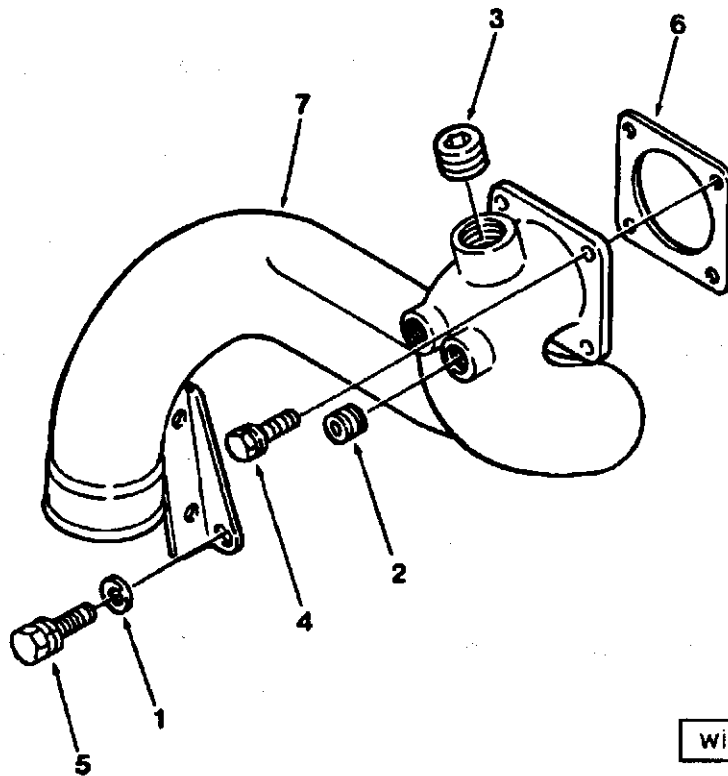
Ref No.	Part Number	Part Name	Req	Remarks
		<b>VALVE COVER OPTION VC1038</b>		Steel stamped valve covers and mounting with oil fill located over No. 1 cylinder and breather located over No. 4 cylinder.
1	3027935	Decal	1	
2	3066310	Screw, Captive Washer Cap	30	1/4 - 20 x 3/4 inch
3	3066311	Gasket, Rocker Lever Cover	3	
4	3075022	Cover, Rocker Lever	1	
5	3075024	Cover, Rocker Lever	1	
6	3042401	Seal, Grommet	1	
7	3076366	Cover, Rocker Lever	1	
8	3081143	Cap, Filler	1	Cam lock design
9	3026393	Seal, O Ring	1	



Ref No.	Part Number	Part Name	Req	Remarks
		<b>AFTERCOOLER WATER PLUMBING OPTION WA1712</b>		Aftercooler plumbing around rear of engine for industrial N14 STC and celect using JWAC.
1	AK 4019 MS	Hose, Flexible	1	
2	AK 4028 MS	Hose, Flexible	1	
3	S 117	Screw, Hexagon Head Cap	3	3/8 - 16 x 3/4 inch
4	S 223	Nut, Heavy Hexagon	3	3/8 - 16 UNC
5	S 602	Washer, Plain	3	3/8 inch
6	S 911 B	Plug, Pipe	1	1/8 NPT
7	3175773	Elbow, Male Adapter	1	
8	67950	Clip	2	
9	68910	Seal, O Ring	2	
10	70802	Tee, Female Pipe	1	
11	100269	Clip	1	
12	108722	Clip	2	
13	68139	Elbow, Male Adapter	1	1/8 NPTF x 7/16-20 (90)
14	3006182	Screw, Captive Washer Cap	5	3/8 - 16 X 7/8 Inch.
15	3011342	Screw, Captive Washer Cap	6	1/4 - 20 X 3/4 Inch.
16	3026806	Clamp, Hose	4	1 3/8 - 1 3/4 inch
17	3050667	Seal, O Ring	3	
18	3063294	Seal, Grommet	2	
19	3067950	Retainer, Plug	3	
20	3069098	Gasket, Cover Plate	1	
21	3079842	Screw, Captive Washer Cap	2	
22	3097258	Tube, Water Outlet	1	
23	3095642	Tube, Water Transfer	1	
24	3097259	Tube, Water Outlet	1	
25	3096689	Bracket, Water Tube	1	
26	3097257	Connection, Water Transfer	1	
27	3097256	Connection, Water Transfer	1	
28	3818271	Hose, Plain	1	
29	3095802	Connection, Water Outlet	1	
30	S 190	Screw, Hexagon Head Cap	1	5/8 - 18 X 1 Inch.
31	S 603	Washer, Lock	1	5/8 Inch.
32	67950	Clip	1	
33	113710	Brace, Tube	1	



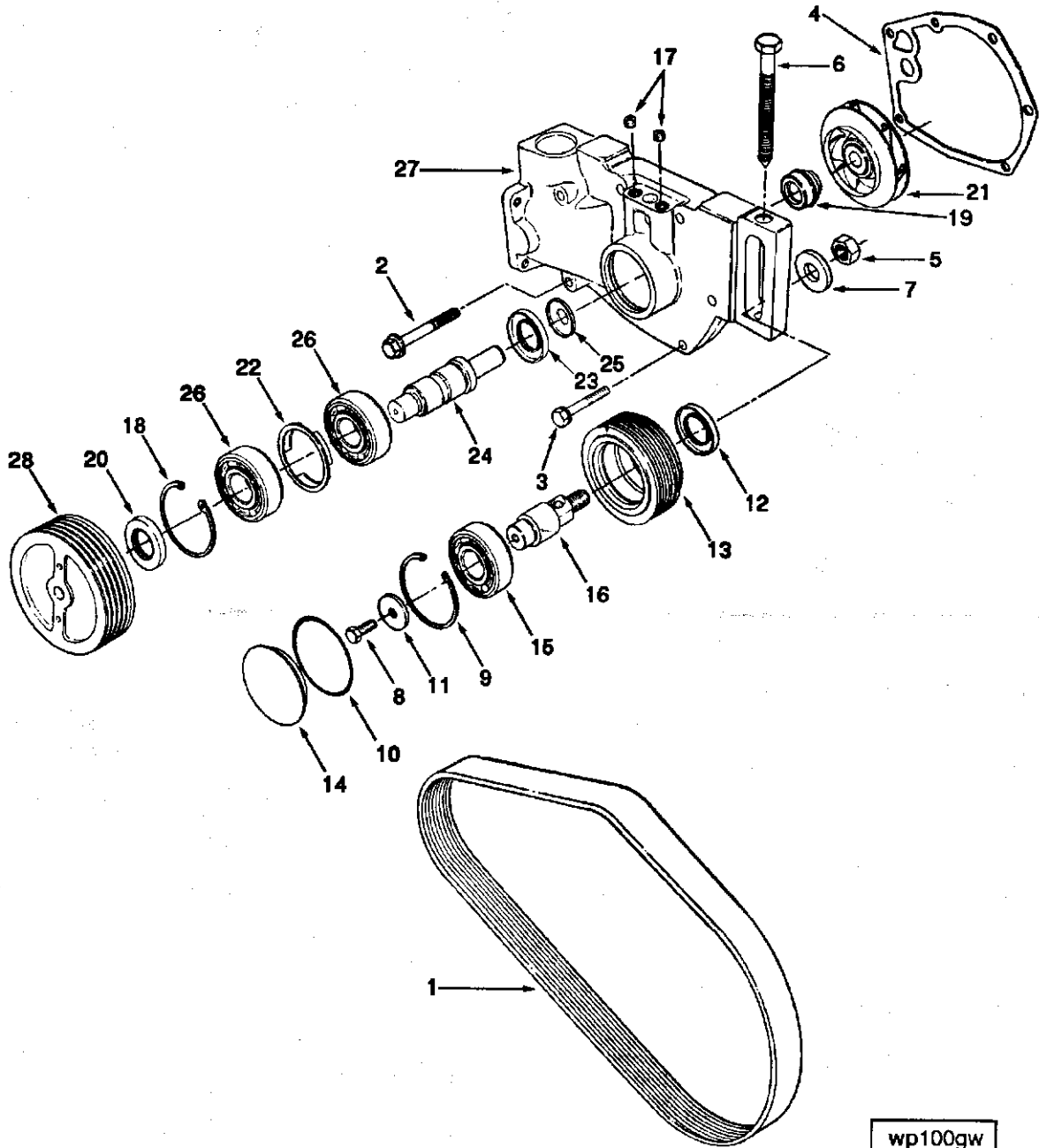
Ref No.	Part Number	Part Name	Req	Remarks
1	(3844234)	<p style="text-align: center;"><b>CORROSION RESISTOR</b> <b>OPTION WF1169</b></p> <p>Resistor, Corrosion</p>	1	<p>Water system corrosion filter. Filter head and mounting are integral part of oil cooler assembly. For cooling system capacity of 8-15 gallons. Contains one filter element with 23 DCA units, achieving a system concentration of 1.5-3.0 DCA units per cooling system gallon.</p>



wi100gm

Ref No.	Part Number	Part Name	Req	Remarks
		<b>WATER INLET CONNECTION OPTION WI1060</b>		One piece water inlet connection. Has 2.5 inch O.D. hose connection located between oil filter and alternator pointing straight down. Includes one 1/2 inch NPT hole, one 3/4 inch hole reduced to 1/2 inch NPT hole and one 1 inch NPT hole plugged.
1	63842	Washer, Plain	1	3/8 inch
2	3008468	Plug, Pipe	2	1/2 NPT
3	3008470	Plug, Pipe	1	1 NPT
4	3010595	Screw, Captive Washer Cap	4	3/8 - 16 x 1 inch
5	3012470	Screw, Captive Washer Cap	1	3/8 - 16 x 3/4 inch
6	3024960	Gasket, Connection		
7	3064438	Connection, Water Inlet	1	





wp100gw

Ref No.	Part Number	Part Name	Req	Remarks
		<b>WATER PUMP OPTION WP1061</b>		Water pump and mounting. Includes belt. (2.05:1 speed ratio)
1	217638	Belt, V Ribbed	1	
2	3012468	Screw, Captive Washer Cap	4	3/8 - 24 x 2 1/4 inch
3	3066207	Screw, Hex Flange Head Cap	2	3/8 - 24 x 3 1/8 inch
4	3076522	Gasket, Water Pump	1	
5	S 201	Nut, Heavy Hexagon	1	5/8 - 11 UNC
6	66912 1 B	Screw, Hexagon Head Cap	1	
7	213082	Washer, Plain	1	5/8 inch
	3066330	Pulley, Idler	1	
8	S 107	Screw, Hexagon Head Cap	1	5/16 - 18 x 3/4 inch
9	S 16255	Ring, Retaining	1	
10	145551	Seal, O Ring	1	
11	3070458	Washer, Plain	1	1/4 inch
12	3074482	Seal, Oil	1	
13	3072355	Pulley, Idler	1	
14	3064404	Cover, Idler Pulley	1	
15	3064406	Bearing, Ball	1	
16	3066328	Shaft, Idler	1	
	3803605	Kit, Water Pump	1	
	(3076529)	Assembly, Water Pump	1	
17	S 911 B	Plug, Pipe	3	1/8 NPT
18	S 16255	Ring, Retaining	1	
19	3609920	Seal, Water Pump	1	
20	3038998	Seal, Oil	1	
21	3064386	Impeller, Water Pump	1	
	3064392	Assembly, Wtr Pump Shaft	1	
22	196844	Spacer, Bearing	1	
23	3074482	Seal, Oil	1	
24	(3064389)	Shaft, Water Pump	1	
25	3064390	Slinger, Water	1	
26	3064406	Bearing, Ball	2	
27	3076523	Body, Water Pump	1	
28	3067999	Pulley, Water Pump	1	
	3803612	Kit, Wtr Pump Rpr (minor)	1	
18	S 16255	Ring, Retaining	1	
	43463 A	Seal, O Ring	1	
	3024960	Gasket, Connection	1	
19	3609920	Seal, Water Pump	1	
4	3076522	Gasket, Water Pump	1	
	3803614	Kit, Wtr Pump Rpr (major)	1	
21	3064386	Impeller, Water Pump	1	
24	3064392	Shaft, Water Pump	1	
	3803612	Kit, Wtr Pump Rpr (minor)	1	

Group No. 17.02

**Gasket Sets**

Ref No.	Part Number	Part Name	Req	Remarks
		<b>GASKET SETS</b>		
	4024924	Set, Upper Engine Gasket	1	N14 STC
	8078	Washer, Plain	3	1/4 inch
	43463 A	Seal, O Ring	2	
	68910	Seal, O Ring	4	
	131026	Seal, O Ring	12	
	3001340	Seal, O Ring	6	
	3008591	Gasket, Intake Manifold	3	
	3020943	Gasket, Exhaust Manifold	6	
	3037537	Seal, O Ring	2	
	3042401	Seal, Grommet	1	
	3050667	Seal, O Ring	6	
	3050867	Seal, Grommet	6	
	3052587	Seal, O Ring	18	
	3064313	Gasket, Thermostat Housing	1	
	3066211	Seal, O Ring	1	
	3066311	Gasket, Rocker Lever Cover	3	
	3068510	Seal, Rectangular Ring	1	
	3069177	Gasket, Turbocharger	1	
	4058790	Gasket, Cylinder Head	3	
	3076292	Gasket, Rkr Lever Housing	3	
	3084848	Seal, O Ring	1	
	3202117	Gasket, Connection	1	
	3909397	Seal, O Ring	6	
	3328484	Seal, O Ring	1	
	3084539	Seal, O Ring	6	

Group No. 17.02

**Gasket Sets**

Ref No.	Part Number	Part Name	Req	Remarks
		<b>GASKET SETS</b>		
	4024926	Set, Single Head Gasket		N14 STC
	8078	Washer, Plain	3	1/4 Inch.
	131026	Seal, O Ring	8	
	3001340	Seal, O Ring	2	
	3008591	Gasket, Intake Manifold	3	
	3020943	Gasket, Exhaust Manifold	6	
	3042401	Seal, Grommet	1	
	3050667	Seal, O Ring	4	
	3050867	Seal, Grommet	2	
	3052587	Seal, O Ring	6	
	3066211	Seal, O Ring	1	
	3066311	Gasket, Rocker Lever Cover	1	
	3069177	Gasket, Turbocharger	1	
	4058790	Gasket, Cylinder Head	1	
	3076292	Gasket, Rkr Lever Housing	1	
	3202117	Gasket, Connection	1	
	3823546	Gauge, Capscrew	1	
	3909397	Seal, O Ring	2	

Ref No.	Part Number	Part Name	Req	Remarks
		<b>GASKET SETS</b>		
	4025068	Set, Lower Engine Gasket	1	N14 Plus
	67946	Washer, Plain	2	1 1/32 inch
	145504	Seal, O Ring	2	
	157551	Gasket, Oil Suc Connection	1	
	215705	Seal, O Ring	1	
	3006737	Seal, Oil	1	
	3014778	Gasket, Lub Oil Pump Cover	1	
	3020186	Seal, Oil	1	
	3024960	Gasket, Connection	1	
	3029847	Seal, O Ring	1	
	3034412	Seal, O Ring	2	
	3034986	Seal, Rectangular	1	
	3037537	Seal, O Ring	8	
	3038998	Seal, Oil	1	
	3046943	Seal, O Ring	1	
	3063166	Seal, O Ring	2	
	3066298	Gasket, Oil Cooler Support	1	
	3067613	Gasket, Lub Oil Pump	1	
	3067616	Gasket, Rear Cover	1	
	3068466	Gasket, Hand Hole	1	
	3068473	Gasket, Cam Follower	3	
	3069098	Gasket, Cover Plate	1	
	3069678	Gasket, Lub Oil	1	
	3070477	Gasket, Oil Cooler Support	1	
	3070478	Gasket, Filter Head	1	
	3072341	Gasket, Oil Trf Connection	1	
	3072375	Seal, Rectangular Ring	2	
	3074400	Gasket, Cam Fol Housing	3	
	3074401	Gasket, Cam Fol Housing	3	
	3074402	Gasket, Cam Fol Housing	3	
	3074482	Seal, Oil	2	
	3076203	Seal, Dust	1	
	3076225	Gasket, Acc Drive Support	1	
	3076522	Gasket, Water Pump	1	
	3099083	Gasket, Oil Pan	1	
	3328464	Seal, O Ring	1	
	3800616	Kit, Seal	1	
	(3078292)	Seal, Oil	1	
	3083917	Tool, Seal Installation	1	
	3412267	Seal, Dust	1	
	4026171	Gasket, Fuel Pump	1	
	(4058941)	Seal, O Ring	6	
	(4058949)	Gasket, Gear Cover	1	

**KITS AND SETS**

Ref No.	Part Number	Part Name	Req	Remarks
		<b>KITS AND SETS</b>		
	3801260	Set, Main Brg-std		
	4025068	Set, Lower Engine Gasket		
	4024924	Set, Upper Engine Gasket		
	4024926	Set, Single Head Gasket		
	3803612	Kit, Water Pump Repair		
	3803614	Kit, Sater Pump Repair		
	3803745	Kit, Turbo Repair		
	3803741	Kit, Engine Piston		CPL2033, CPL1921
	3804500	Set, Piston Ring		CPL2033, CPL1921, CPL2038
	3803742	Kit, Cylinder		CPL2033, CPL1921
	3803739	Kit, Engine Piston		CPL2038
	3803740	Kit, Cylinder		CPL2038

## Option Index

Option No.	Description
AD1272	Accessory Drive Pulley
AD1701	Accessory Drive Pulley
AP1001	Agency Approval
BB1701	Crankshaft
	Cylinder Block
	Cylinder Liner Kit
BR1178	Crankcase Breather
CF1020	Ref Compressor Mounting
DD1704	Cam Follower
DP1018	Fuel Pump Drive
EM1253	Front Engine Support
FA1370	Fan Drive
FE1724	Air Fuel Control Plumbing
FF1133	Fuel Filter
FH11057	Flywheel Housing
FP10120	Fuel Pump
FT10136	Fuel Plumbing
FV1016	Fuel Shutoff Valve
FW1232	Flywheel
GG1701	Front Gear Cover
LA1061	Lifting Bracket
LC1018	Engine Oil Cooler
LF1173	Full Flow Oil Filter
LP1702	Lube Oil Pump
OB1347	Oil Filler Arrangement
OP1142	Oil Pan
PP1921	Camshaft
	Cylinder Head
	Engine Piston
	Hydraulic Variable Timing
	Injector
	Piston Cooling Nozzle
PP2033	Camshaft
	Cylinder Head
	Engine Piston
	Hydraulic Variable Timing
	Injector
	Piston Cooling Nozzle
PP2038	Camshaft
	Cylinder Head
	Engine Piston
	Hydraulic Variable Timing
	Injector
	Piston Cooling Nozzle
PP10072	Oil Control Valve
	Oil Control Valve Mounting
	Oil Manifold
	Viscosity Sensor
PP10087	Turbocharger
RL1720	Rocker Lever
TB1322	Turbocharger Arrangement
TH1117	Thermostat Housing
TL1043	Throttle Lever
TP1719	Turbocharger Plumbing
VC1038	Valve Cover

## INDEX

Part No.	Description	Page No.	Part No.	Description	Page No.
AK10012 SS	Hose, Flexible	75	68606	Plug, Pipe	31
AK 4005			68910	Seal, O Ring	93, 98
60SS	Hose, Flexible	77	69102	Screw, Hexagon Head Cap	85
AK 4014 SS	Hose, Flexible	75	69465	Clip	89
AK 4018 SS	Hose, Flexible	24	69521	Bushing	45
AK 4019 MS	Hose, Flexible	93	69736	Screw, Cam Follower Shaft	17
AK 4021 SS	Hose, Flexible	75	69901	Plug, Pipe	7
AK 4028 MS	Hose, Flexible	93	69911 A	Clip	75
AK 6013 20SS	Hose, Flexible	77	70550	Dowel, Pin	3
AK 8039 SL)	Hose, Flexible	75	70653	Dowel, Diamond	37
AR12110	Damper, Fuel Pump & Mtg	28	70657	Cover, Access Hole	27
S 107	Screw, Hexagon Head Cap	97	70704	Washer, Plain	88
S 109	Screw, Hexagon Head Cap	13	70772	Screw, Fillister Head Cap	57
S 114	Screw, Hexagon Head Cap	31	70802	Tee, Female Pipe	93
S 115	Screw, Hexagon Head Cap	89	70880	Washer, Plain	19
S 117	Screw, Hexagon Head Cap	83, 93	70896	Screw, Hexagon Head Cap	23
S 120 A	Screw, Hexagon Head Cap	17	100269	Clip	93
S 155 A	Screw, Hexagon Head Cap	75	102584	Elbow, Male Adapter	83
S 159 B	Screw, Hexagon Head Cap	88	105199	Pin, Groove	85
S 182 B	Screw, Hexagon Head Cap	31	105375	Nameplate	73
S 189 C	Screw, Socket Head Cap	33	107981	Cap, Filler	47
S 190	Screw, Hexagon Head Cap	13, 93	108330	Washer, Plain	17
S 194	Screw, Hexagon Head Cap	17	108722	Clip	89, 93
S 201	Nut, Heavy Hexagon	97	109080	Seal, O Ring	41
S 221	Nut, Heavy Hexagon	89	110481	Lever, Throttle	88
S 223	Nut, Heavy Hexagon	13, 93	113710	Brace, Tube	13, 93
S 224	Nut, Heavy Hexagon	31	115590	Cover, Hand Hole	47
S 251	Nut, Regular Hexagon Jam	31	117267	Washer, Counter Weight	23
S 270	Nut, Regular Hexagon	88	129594	Flywheel	34
S 285	Nut, Heavy Hexagon Jam	23	129768	Spring, Shutoff	33
S 600	Washer, Lock	31, 88	129838	Knob	33
S 602	Washer, Plain	13, 47, 75, 83,	129839	Shield, Shutoff	33
		93	129866	Union, Male	25
S 603	Washer, Lock	13, 93	129888	Seal, Rectangular	33
S 604	Washer, Lock	13	131026	Seal, O Ring	98, 99
S 605	Washer, Lock	89	135308	Plate, Cover	57
S 608	Washer, Lock	23	142176	Nut, Lock	23
S 626	Washer, Plain	75, 89	145504	Seal, O Ring	45, 100
S 631	Washer, Plain	31	145551	Seal, O Ring	23, 97
S 1315	Screw, Pan Head Cap	31	146161	Washer, Plain	45
S 2286	Screw, Drive	73	147100	Connection, Fuel Crossover	57
S 16240	Ring, Retaining	73	148555	Dowel, Pin	83
S 16255	Ring, Retaining	97	154087	Seal, Rectangular	33
8078	Washer, Plain	98, 99	157551	Gasket, Oil Suc Connection	49, 100
43463 A	Seal, O Ring	87, 97, 98	166777	Screw, Hexagon Head Cap	23
60408	Dowel, Pin	27, 37	167157	Ball, Check	59, 67, 71
60724	Spacer, Mounting	75	170664	Washer, Plain	19
63842	Washer, Plain	95	173086	Gasket, Injector	59, 67, 71
64709	Spacer, Mounting	31	174299	Retainer, Screen	59, 67, 71
64775	Hose, Plain	13	175833	Screw, Hexagon Head Cap	2
65259 A	Shim	37	178707	Belt, V	23
65259 B	Shim	37	180371	Clip	31
65259 C	Shim	37	180372	Clip	31
66292	Washer, Plain	7	181213	Elbow, Plain Adapter	31
66912 1 B	Screw, Hexagon Head Cap	97	181466	Washer, Lock	33
67211	Dowel, Rear Main Bearing	7	185138	Retainer, Injector Cup	59, 67, 71
67684	Washer, Plain	33	185573	Shim	37
67946	Washer, Plain	49, 100	186780	Seal, Thermostat	87
67950	Clip	93	187556	Screw	33
68138	Connector, Male	31, 75	193136	Washer, Plain	3
68139	Elbow, Male Adapter	24, 93	193736	Seal, O Ring	59, 67, 71
68152	Clip	79	196844	Spacer, Bearing	97
68193	Plug, Pipe	54	200307	Seal, Oil	23
68365	Bushing	45	200310	Cover, Fan Hub	23
68425	Clip	79	200861	Washer, Plain	34
68445	Pin, Groove	57	202903	Pin, Roll	7
68585	Dowel, Pin	7	203426	Pin, Roll	59, 67, 71



## INDEX

Part No.	Description	Page No.	Part No.	Description	Page No.
203848	Elbow, Male Union	73	3013786	Plug, Pipe	7
203933	Plug, Expansion	83	3014754	Washer, Plain	45
204048	Plate, Cover	45	3014755	Disc, Valve	45
204165	Screw, Head Locking	34	3014756	Spring, Compression	45
205278	Screw, Twelve Point Cap	59, 67, 71	3014778	Gasket, Lub Oil Pump	
205401	Plug, Expansion	17		Cover	45, 100
206963	Adapter, Filter Head	41	3018889	Connector, Female	31
209955	Hose, Flexible	89	3019174	Bearing, Main	11
210179	Key, Rectangular	11	3019180	Bearing, Main	11
210884	Plug, Threaded	7	3019186	Bearing, Main	11
210888	Cover, Fan Hub	23	3019192	Bearing, Main	11
211865	Pulley, Fan	23	3019198	Bearing, Main	11
213082	Washer, Plain	97	3019204	Bearing, Main	11
215090	Seal, O Ring	8, 53, 63, 69	3019301	Spacer, Mounting	31
215233	Bearing, Thrust	54	3019572	Screw, Captive Washer Cap	79
215705	Seal, O Ring	37, 100	3019959	Ring, Liner Seal	7
217638	Belt, V Ribbed	97	3019960	Ring, Liner Seal	7
218813	Bracket, Shipping	49	3020186	Seal, Oil	37, 100
219154	Dowel, Ring	53, 63, 69	3020523	VS Spring Pack	28
3000173	Screw, Hexagon Head Cap	19	3020943	Gasket, Exhaust Manifold	85, 98, 99
3000175	Hub, Jaw Coupling	19	3021599	Key, Offset Woodruff	54
3001340	Seal, O Ring	79, 98, 99	3021660	Flywheel	34
3003578	Tube, Fuel Drain	31	3022589	Screw, Captive Washer Cap	45
3003580	Tube, Fuel Bypass	31	3022590	Screw, Captive Washer Cap	45
3005557	Housing, Flywheel	27	3023478	Spring, Compression	59, 67, 71
3006182	Screw, Captive Washer Cap	41, 93	3023934	Adapter, Injector	59, 67, 71
3006737	Seal, Oil	27, 100	3024960	Gasket, Connection	95, 97, 100
3007025	Clamp, Tube	31	3025458	Plug, Pipe	85
3007634	Plug, Expansion	57	3026393	Seal, O Ring	91
3007635	Plug, Expansion	57	3026806	Clamp, Hose	93
3007636	Plug, Expansion	57	3027106	Dowel, Ring	57
3007759	Seal, O Ring	57	3027935	Decal	91
3008035	Tube, Breather	13	3027988	Ring, Retaining	61
3008047	Cap, Main Bearing	7	3027994	Spring, Cpmression	61
3008048	Cap, Main Bearing	7	3027996	Ball, Check	61
3008049	Cap, Main Bearing	7	3028075	Bushing	7
3008464	Plug, Pipe	83	3028269	Bushing	7
3008465	Plug, Pipe	79, 85	3029847	Seal, O Ring	49, 100
3008466	Plug, Pipe	85, 87	3029848	Tube, Lub Oil Transfer	49
3008468	Plug, Pipe	7, 47, 49, 83, 95	3029850	Plate, Clamping	49
			3030970	Disc, Valve	33
3008470	Plug, Pipe	49, 95	3032674	Screw, Captive Washer Cap	49
3008530	Support, Camshaft Thrust	37	3032874	Seal, O Ring	8, 53, 63, 69
3008591	Gasket, Intake Manifold	85, 98, 99	3033098	Brace, Tube	31
3008596	Clamp, Spring Hose	13	3033742	Plug, Threaded	19, 73
3009213	Lockplate	11	3034167	Spring, Compression	59, 67, 71
3010146	Spring, Compression	45	3034243	Fuel Pump Gear Assembly	28
3010592	Screw, Captive Washer Cap	75	3034408	Seal, O Ring	73
3010594	Screw, Captive Washer Cap	27	3034412	Seal, O Ring	7, 19
3010595	Screw, Captive Washer Cap	45, 49, 95	3034412	Seal, O Ring	73
3010596	Screw, Captive Washer Cap	47, 89	3034412	Seal, O Ring	73, 100
3011342	Screw, Captive Washer Cap	93	3034438	Pin, Groove	19
3011712	Screw, Captive Washer Cap	37	3034526	Screw, Captive Washer Cap	45
3011713	Screw, Captive Washer Cap	37	3034830	Retainer, Seal	49
3011714	Screw, Captive Washer Cap	37	3034986	Seal, Rectangular Ring	49, 100
3011715	Screw, Captive Washer Cap	37	3035228	Seal, O Ring	7, 85
3011951	Bushing	7	3035580	Hose, Flexible	41
3011952	Plug, Expansion	7	3035624	Screw, Captive Washer Cap	49
3012467	Washer, Plain	23	3036460	Washer, Spring	85
3012468	Screw, Captive Washer Cap	97	3036666	Seal, O Ring	73, 79
3012470	Screw, Captive Washer Cap	95	3037045	Dowel, Ring	11
3012473	Screw, Captive Washer Cap	41	3037236	Seal, O Ring	33
3012526	Nut, Hexagon Flange	3	3037535	Elbow, Male Union	41, 89
3012531	Shaft, Idler	45	3037536	Plug, Threaded	7, 37, 41, 45, 85
3012726	Plug, Retainer	45			
3013036	Shaft, Shutoff Valve	33			
3013336	Pulley, Accessory Drive	2			

## INDEX

Part No.	Description	Page No.	Part No.	Description	Page No.
3037537	Seal, O Ring	7, 37, 41, 45, 81, 85, 87, 98, 100	3056508	Screw, Drive	4
3037662	Elbow, Male Union	73, 77	3058462	Bushing	83
3038998	Seal, Oil	97, 100	3058664	Screw, Hexagon Head Cap	20
3039267	Clip	49	3058675	Seal, Dust	49
3040289	Belt, Top Cog	14	3059408	Thermostat	41
3040810	Plug, Threaded	41	3060605	Barrel And Plunger	73
3040813	Plug, Threaded	41, 45, 85	3060606	Body, Valve	73
3040814	Plug, Threaded	73, 79	3061400	Screw, Socket Head Cap	41
3040818	Plug, Threaded	7, 85	3061426	Tube, Fuel Supply	31
3040819	Plug, Threaded	85	3061833	Union, Male	73
3040836	Screw, Captive Washer Cap	87	3062009	Link, Injector Plunger	59, 67, 71
3040838	Screw, Captive Washer Cap	85	3062568	Manifold, Exhaust	85
3041493	Washer, Plain	59, 67, 71	3063029	Support, Front Engine	20
3042401	Seal, Grommet	91, 98, 99	3063166	Seal, O Ring	7, 100
3042542	Seal, O Ring	73	3063294	Seal, Grommet	93
3042619	Nipple, Coupling	7, 87	3063567	Screw, Captive Washer Cap	41
3042620	Nipple, Coupling	87	3064240	Pan, Oil	49
3042889	Screw, Captive Washer Cap	41	3064241	Assembly, Oil Pan	49
3042890	Screw, Captive Washer Cap	87	3064267	Bushing	83
3044413	Screw, Captive Washer Cap	85	3064281	Seal, Valve Stem	57
3045047	Plug, Injector Orifice	59, 67, 71	3064291	Crankshaft, Engine	11
3045618	Gear, Lub Oil Pumping	45	3064295	Bushing	53, 63, 69
3045622	Gear, Lub Oil Pumping	45	3064304	Pin, Piston	53, 63, 69
3045986	Seal, O Ring	73	3064305	Ring, Retaining	53, 63, 69
3046200	Spider, Jaw Coupling	19	3064309	Pin, Roll	17
3046201	Seal, O Ring	7, 41, 73	3064312	Guide, Valve Stem Intake	57
3046202	Plug, Threaded	7, 41	3064313	Gasket, Thermostat Housing	98
3046246	Washer, Plain	7	3064320	Screw, Twelve Point Cap	83
3046943	Seal, O Ring	41, 100	3064386	Impeller, Water Pump	97
3047134	Tube, Breather	13	3064389	Shaft, Water Pump	97
3048351	Screw, Captive Washer Cap	27	3064390	Slinger, Water	97
3049018	Cover, Rear	27	3064392	Assembly, Wtr Pump Shaft	97, 97
3049041	Retainer, Spring	73	3064396	Ring, Compression Piston	53, 63, 69
3049301	Screw, Captive Washer Cap	85	3064397	Ring, Compression Piston	53, 63, 65, 69
3049670	Screw, Captive Washer Cap	19	3064404	Cover, Idler Pulley	97
3050667	Seal, O Ring	83, 93, 98, 99	3064406	Bearing, Ball	97
3050867	Seal, Grommet	79, 98, 99	3064438	Connection, Water Inlet	95
3051427	Screw, Captive Washer Cap	85	3064621	Socket, Tappet	17, 83
3052218	Retainer, Injector Spring	59, 67, 71	3065022	Manifold, Exhaust	85
3052231	Retainer, Injector Link	59, 67, 71	3065024	Manifold, Exhaust	85
3052587	Seal, O Ring	79, 98, 99	3065109	Brace, Tube	31
3052675	Screw, Captive Washer Cap	77	3065134	Hose, Flexible	77
3052863	Fuel Pump Front Cover	28	3065135	Bracket, Valve	77
3054411	Spring, Leaf	73	3065151	Gear, Flywheel Ring	34
3054608	Solenoid	33	3065177	Screw, Captive Washer Cap	77
3054852	Spring, Injector	61	3065376	Spring Pack Cover	28
3054889	Screw, Hex Flange Head Cap	20	3066207	Screw, Hex Flange Head Cap	97
3054947	Ring, Liner Seal	7	3066211	Seal, O Ring	98, 99
3054948	Ring, Liner Seal	7	3066217	Shaft, Cam Follower	17
3054949	Ring, Liner Seal	7	3066257	Nut, Regular Hexagon Jam	83
3054999	Screen, Filter	59, 67, 71	3066270	Dowel, Ring	83
3055042	Bracket, Valve	75	3066277	Spacer, Cooler Support	41
3055069	Plug, Threaded	49	3066291	Rod, Push	83
3055099	Liner, Cylinder	8, 53, 63, 69	3066298	Gasket, Oil Cooler Support	41, 100
3055145	Bearing, Connecting Rod	53, 63, 69	3066310	Screw, Captive Washer Cap	91
3055146	Bearing, Connecting Rod	53, 63, 69	3066311	Gasket, Rocker Laver Cover	91, 98, 99
3055147	Bearing, Connecting Rod	53, 63, 69	3066323	Plug, Threaded	7
3055148	Bearing, Connecting Rod	53, 63, 69	3066328	Shaft, Idler	97
3055149	Bearing, Connecting Rod	53, 63, 69	3066330	Pulley, Idler	97
3055280	Housing, Cam Follower	17	3066463	Sensor, Viscosity	77
3055742	Screw, Injector Stop	59, 67, 71	3066644	Screw, Slotted Set	83
3056072	Spring, Compression	73	3066708	Plunger, Tappet	61
3056155	Stud	81, 85	3066837	Plug, Ball	79
3056158	Nut, Hexagon Flange	81	3066914	Seal, O Ring	73
			3067424	Plug, Threaded	33
			3067461	Screw, Captive Washer Cap	45

## INDEX

Part No.	Description	Page No.	Part No.	Description	Page No.
3067503	Elbow, Male Union	77	3071228	Tube, Water Transfer	83
3067568	Bearing, Thrust	11	3071229	Plug, O Ring	83
3067613	Gasket, Lub Oil Pump	45, 100	3072301	Valve, Bypass	41
3067616	Gasket, Rear Cover	27, 100	3072302	Spring, Compression	41
3067930	Screw & Spacer	85	3072316	Washer, Plain	19
3067941	Plug, Ball	17, 83	3072341	Gasket, Oil Trf Connection	41, 100
3067944	Manifold, External Oil	79	3072355	Pulley, Idler	97
3067950	Plug, Retainer	83, 93	3072357	Bracket, Lifting	38
3067952	Screw, Hexagon Head Cap	83	3072367	Support, Accessory Drive	19
3067954	Screw, Captive Washer Cap	51	3072369	Collet, Half Valve	57
3067955	Screw, Captive Washer Cap	41	3072372	Connection, Oil Transfer	41
3067979	Clamp, V Band	85	3072374	Kit, Oil Cooler	41
3067984	Screw, Captive Washer Cap	41	3072375	Seal, Rectangular Ring	41, 100
3067987	Housing, Accessory Drive	19	3072376	Plug, Threaded	41
3067992	Clamp, Injector	59, 67, 71	3072377	Plunger, Bypass Valve	41
3067996	Union, Male	89	3072378	Plug, Threaded	41
3067999	Pulley, Water Pump	97	3072397	Seal, O Ring	41
3068014	Tube, Var Timing Supply	79	3073303	Lever, Rocker	83
3068459	Cover, Lub Oil Pump	45	3073343	Gear, Camshaft	54
3068461	Cover, Lub Oil Pump	45	3073344	Gear, Crankshaft	11
3068463	Gasket, Oil Pan	49	3073494	Lever, Rocker	83
3068466	Gasket, Hand Hole	47, 100	3073499	Rod, Push	83
3068473	Gasket, Cam Fol Housing	17, 100	3073889	Assembly, Shutoff Valve	33
3068510	Seal, Rectangular Ring	98	3073890	Body, Shutoff Valve	33
3068533	Screw, Captive Washer Cap	87	3073891	Body, Shutoff Valve	33
3068859	Cap, Tappet Top Stop	59, 67, 71	3073998	Disc, Valve	73
3068860	Nut, Lock	59, 67, 71	3074163	Lever, Cam Follower	17
3069015	Nut, Lock	73	3074164	Pin, Cam Follower Roller	17
3069098	Gasket, Cover Plate	93, 100	3074372	Tee, Male Run	31
3069112	Tee, Male Union	77	3074373	Shaft, Rocker Lever	83
3069120	Screw, Captive Washer Cap	31	3074374	Shaft, Rocker Lever	83
3069177	Gasket, Turbocharger	81, 98, 99	3074375	Shaft, Rocker Lever	83
3069178	Tee, Street Pipe	31	3074376	Shaft, Rocker Lever	83
3069255	Fuel Pump Housing	28	3074387	Screw, Captive Washer Cap	79
3069629	Bracket, Lifting	38	3074400	Gasket, Cam Fol Housing	100
3069633	Screw, Captive Washer Cap	38	3074401	Gasket, Cam Fol Housing	100
3069634	Screw, Captive Washer Cap	23	3074402	Gasket, Cam Fol Housing	100
3069637	Plug, Ball	83	3074482	Seal, Oil	97, 100
3069672	Valve, Exhaust	57	3074975	Nut, Regular Hexagon Jam	83
3069678	Seal, Oil	41, 100	3075022	Cover, Rocker Lever	91
3069680	Adapter, O Ring	41	3075024	Cover, Rocker Lever	91
3069681	Retainer, Connection	41	3075026	Lever, Cam Follower	17
3069689	Crosshead, Valve	83	3075027	Pin, Cam Follower Roller	17
3069989	Cover, Oil Control Valve	73	3075318	Screw, Hexagon Head Set	83
3070108	Gasket, Control Valve Body	73	3075383	Tappet, Hyd Var Timing	59, 61, 67, 71
3070186	Washer, Plain	73	3075387	Sleeve, Tappet	61
3070458	Washer, Plain	97	3075393	Sleeve & Plunger	61
3070460	Spring, Valve	57	3076033	Guide, Ball	61
3070463	Lever, Rocker	83	3076164	Connection, Tur Oil Drain	89
3070464	Lever, Rocker	83	3076202	Seal, Dust	3
3070465	Lever, Rocker	83	3076203	Seal, Dust	37, 100
3070466	Lever, Rocker	83	3076221	Housing, Rocker Lever	83
3070475	Pin, Roll	7	3076225	Gasket, Acc Drive Support	19, 100
3070477	Gasket, Oil Cooler Support	41, 100	3076292	Gasket, Rkr Lever Housing	83, 98, 99
3070478	Gasket, Filter Head	41, 100	3076301	Clamp, Wire Tie	75
3070486	Sleeve, Injector	57	3076314	Screw, Hexagon Head Cap	23
3070501	Bracket, Oil Cooler	41	3076316	Screw, Captive Washer Cap	23
3070513	Connector, Oil Manifold	79	3076332	Valve, Oil Control	73
3070526	Screw, Hexagon Head Cap	38	3076366	Cover, Rocker Lever	91
3070751	AFC Assembly	28	3076491	Tube, Water Transfer	87
3070917	Tube, Oil Filler	47	3076500	Shaft, Accessory Drive	19
3070982	Insert, Rocker Lever	83	3076515	Insert, Valve Intake	57
3071075	Washer, Plain	57	3076522	Gasket, Water Pump	97, 100
3071161	Screw, Hexagon Head Cap	57	3076523	Body, Water Pump	97
3071181	Plug, Threaded	7	3076529	Assembly, Water Pump	97
3071222	Connector, Oil Manifold	79	3077274	Dataplate	4
3071225	Screw, Captive Washer Cap	79	3077620	Washer, Plain	41

## INDEX

Part No.	Description	Page No.	Part No.	Description	Page No.
3077771	Screw, Self Tapping Metal	27	3100066	Screw, Hex Flange Head	
3078201	Nut, Tappet Top Stop Lock	59, 67, 71		Cap	23
3078274	Cover, Gear	37	3166307	Gasket, Hydraulic Pump	45
3078292	Seal, Oil	37, 100	3175773	Elbow, Male Adapter	93
3078310	Gear, Accessory Drive	19	3202117	Gasket, Connection	81, 89, 98, 99
3078329	Rod, Engine Connecting	53, 63, 69	3279794	Seal, O Ring	33
3078330	Rod, Engine Connecting	53, 63, 69	3315843	Separator, Fuel Water	25
3078385	Shaft, Lube Oil Pump	45	3328464	Seal, O Ring	98, 100
3078386	Gear, Lubricating Oil Pump	45	3349806	Screw, Connecting Rod Cap	53, 63, 69
3078408	Assembly, Oil Cooler	41	3355230	Assembly, Fan Hub	23
3079842	Screw, Captive Washer Cap	93	3355231	Spindle, Fan	23
3081143	Cap, Filler	91	3401544	Element, Lub Oil Filter	42
3081151	Screw, Twelve Point Cap	83	3411335	Thermostat	87
3081163	Pulley, Accessory Drive	3	3411337	Screw, Hexagon Head Cap	7
3081164	Bearing, Roller	23	3411389	Bushing	37
3081177	Support, Oil Cooler	41	3411458	Cover, Gear	37
3081278	Screw, Hexagon Head Cap	17	3411779	Head, Cylinder	57
3081279	Block, Cylinder	7	3411814	Head, Cylinder	57
3081280	Block, Cylinder	7	3412267	Seal, Dust	100
3082570	Clip	13	3412892	Plug, Retainer	45
3082580	Ring, Oil Piston	53, 63, 65, 69	3413091	Cooler, Oil	41
3082608	Screw, Captive Washer Cap	49	3417076	Plug, Threaded	73
3083917	Tool, Seal Installation	100	3417077	Screw, Socket Head Cap	73
3083945	Lever, Cam Follower	17	3417096	Screw, Socket Set	73
3084020	Insert, Valve Exhaust	57	3417098	Screw, Socket Head Cap	73
3084045	Valve, Intake	57	3417103	Plug, Threaded	73
3084382	Gasket, Aftercooler Cover	85	3519155	Shield, Turbocharger Heat	81
3084383	Core, Aftercooler	85	3519163	Screw, Drive	81
3084539	Seal, O Ring	98	3519471	Nut, Lock	81
3084603	Retainer, Seal	85	3521439	Slinger, Oil	81
3084848	Seal, O Ring	85, 98	3521440	Collar, Thrust	81
3084891	Assembly, Injector	59	3521441	Seal, Split Ring	81
3084892	Barrel & Plunger	59, 67, 71	3521442	Seal, Split Ring	81
3084893	Barrel, Injector	59, 67, 71	3527047	Impeller, Tur Compressor	81
3084894	Plunger, Injector	59, 67, 71	3527907	Dataplate	81
3084895	Cup, Injector	59	3529372	Nut, Regular Hexagon	81
3084896	Link, Injector Plunger	59, 67, 71	3529658	Baffle, Oil	81
3085343	Spring, Injector	61	3532045	Clamp, V Band	81
3085344	Guide, Ball	61	3536075	Bearing, Tur Thrust	81
3085345	Socket, Tappet	61	3536096	Housing, Tur Bearing	81
3085379	Pump, Lubricating Oil	45	3536324	Turbocharger	81
3087634	Top, Piston	53, 63	3536804	Assembly, Turbocharger	81
3087635	Top, Piston	69	3537000	Housing, Turbine	81
3087690	Draincock	7	3539458	Clamp, V Band	81
3087740	Seal, O Ring	57	3594952	Shaft & Wheel	81
3087812	Body, Lubricating Oil Pump	45	3609828	Pump, Lubricating Oil	45
3088845	Assembly, Accessory Drive	19	3609888	Gear, Lub Oil Pumping	45
3095023	Assembly, Injector	67	3609920	Seal, Water Pump	97
3095024	Cup, Injector	67, 71	3627381	Seal, Rectangular Strip	85
3095050	Tube, Lube Oil Suction	49	3709510	Ring, Retaining	81
3095055	Assembly, Injector	71	3718373	Ring, Retaining	81
3095642	Tube, Water Transfer	93	3722366	Bearing, Turbocharger	81
3095723	Nut, Regular Hexagon	49	3723863	Ring, Retaining	81
3095802	Connection, Water Outlet	93	3751948	Seal, O Ring	81
3095826	Seal, O Ring	85	3757753	Sleeve, Oil Control	81
3096689	Bracket, Water Tube	93	3759618	Plate, Oil Seal	81
3097000	Tube, Air Crossover	85	3800259	Kit, PDC	53
3097256	Connection, Water Transfer	93	3800259	Kit, PDC	63
3097257	Connection, Water Transfer	93	3800259	Kit, PDC	69
3097258	Tube, Water Outlet	93	3800275	Kit, PDC	53
3097259	Tube, Water Outlet	93	3800275	Kit, PDC	63
3097278	Manifold, Air Intake	85	3800275	Kit, Piston	69
3097279	Aftercooler Assembly	85	3800616	Kit, Seal	100
3099083	Gasket, Oil Pan	100	3800855	Camshaft	54
3099798	Support, Fan	23	3801260	Set, Main Bearing	11, 101
3099799	Bracket, Fan	23	3801261	Set, Main Bearing	11
3099800	Bracket, Fan	23	3801262	Set, Main Bearing	11

## INDEX

Part No.	Description	Page No.	Part No.	Description	Page No.
3801263	Set, Main Bearing	11			
3801264	Set, Main Bearing	11			
3801826	Kit, Cylinder Liner	8			
3803554	Kit, Corr Resistor	41			
3803605	Kit, Water Pump	97			
3803612	Kit, Wtr Pump Rpr (minor)	97, 101			
3803614	Kit, Wtr Pump Rpr (major)	97, 101			
3803718	Block, Cylinder	7			
3803726	Kit, Exhaust Valve	57			
3803739	Kit, Engine Piston	69, 101			
3803740	Kit, Cylinder	69, 101			
3803741	Kit, Engine Piston	53, 63, 101			
3803742	Kit, Cylinder	53, 63, 101			
3803745	Kit, Turbo Repair	101			
3803854	Kit, Intake Valve	57			
3804500	Set, Piston Ring	53, 63, 69, 101			
3804566	Kit, Turbocharger	81			
3818271	Hose, Plain	93			
3818599	Screw, Captive Washer Cap	49			
3821577	Body, Lubricating Oil Pump	45			
3823546	Gauge, Capscrew	99			
3844234	Resistor, Corrosion	94			
3865122	Housing, Thermostat	87			
3865125	Housing, Rocker Lever	83			
3865172	Cover, Thm Housing	87			
3865175	Housing, Thermostat TLA	87			
3865178	Screw, Captive Washer Cap	85, 87			
3865195	Gasket, Thermostat Hsg	87			
3865236	Gasket, Thm Housing Cover	87			
3865237	Roller, Cam Follower	17			
3865238	Lever, Cam Follower	17			
3865239	Housing, Cam Follower	17			
3865312	Sensor, Temperature	87			
3884126	Piunger, Prs Regulator	45			
3892658	Assembly, Fuel Pump	28			
3895489	Roller, Cam Follower	17			
3896027	Valve, Check	75			
3909397	Seal, O Ring	79, 98, 99			
3918334	Head, Lub Oil Filter	41			
4009927	Cover, Diaphragm	73			
4024924	Set, Upper Engine Gasket	98, 101			
4024926	Set, Single Head Gasket	99, 101			
4025068	Set, Lower Engine Gasket	100, 101			
4025955	Camshaft	54			
4026171	Gasket, Fuel Pump	100			
4026228	Retainer, Valve Spring	57			
4058790	Gasket, Cylinder Head	57, 98, 99			
4058941	Seal, O Ring	51			
4058941	Seal, O Ring	100			
4058947	Nozzle, Piston Cooling	51			
4058949	Gasket, Gear Cover	37			
4058949	Gasket, Gear Cover	100			

# Cummins Customized Parts Catalog

Cummins is pleased to announce the availability of a parts catalog compiled specifically for you. Unlike the generic versions of parts catalogs that support general high volume parts content; Cummins Customized catalogs contains only the new factory parts that were used to build your engine.

The catalog cover, as well as the content, is customized with you in mind. You can use it in your shop, at your worksite, or as a coffee table book in your RV or boat. The cover contains your name, company name, address, and telephone number. Your name and engine model identification even appears on the catalog spine. Everybody will know that Cummins created a catalog specifically for you.

This new catalog was designed to provide you with the exact information you need to order parts for your engine. This will be valuable for customers that do not have easy access to the Cummins Electronic Parts Catalog or the Cummins Parts Microfilm System.

Additional Features of the Customized Catalog include:

- Engine Configuration Data
- Table of Contents
- Separate Option and Parts Indexes
- Service Kits (when applicable)
- ReCon Part Numbers (when applicable)

## ORDERING THE CUSTOMIZED PARTS CATALOG

Customers can call Gannett Marketing Services at 1-800-646-5609 and order by credit card. Ask for bulletin 3672139 the Customized Parts Catalog. North American customers can mail in the attached postage pre-paid order card.

**ATTENTION: INTERNATIONAL CUSTOMERS (outside U.S.A.)** insert the completed Customized Catalog order form in an envelope and mail to the address printed on the order form. Or, use the E-mail address [catalog@gdms.com](mailto:catalog@gdms.com) to place an order for a Customized Parts Catalog.

Contact GDMS for the current price; Freight will be an additional expense.

This information is required to provide a Customized Parts Catalog:

- Name
- Street Address
- Company Name (optional)
- Telephone no.
- Credit Card No.
- Cummins Engine Serial Number (located on the engine dataplate)

Unfortunately not all Cummins Engines can be supported by this parts catalog. Engines older than 1984 or newer than 3 months may not have the necessary parts information to compile a catalog. We will contact you if this occurs and explain why we are unable to fill your order.

Customized Parts Catalogs are produced specifically for a single customer. This means they are not returnable for a refund. If we make an error and your catalog is not useable, we will correct that error by sending you a new catalog.